



## Specialty Gas Equipment Catalogue



# THE HARRIS PRODUCTS GROUP



A LINCOLN ELECTRIC COMPANY

The Harris Products Group was formed by combining two strong names in the welding business - Harris Calorific and J.W. Harris. The Harris Products Group is a world leader in metalworking products used in the brazing, soldering, welding, cutting and gas distribution industries. The combined company offers excellence in the manufacture of:

- Gas welding and cutting equipment
- Industrial and specialty gas regulation equipment
- Brazing and soldering alloys
- Welding alloys
- Pre-formed bends, rings and return bends



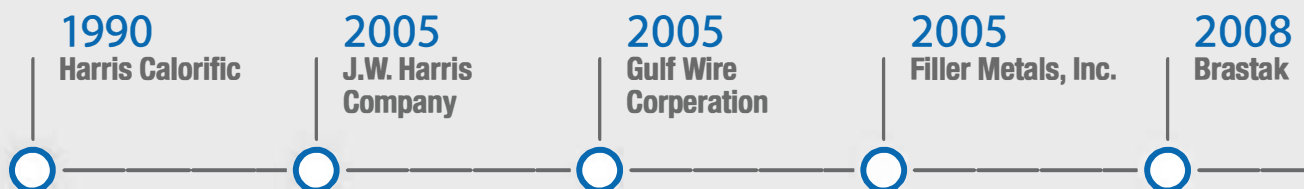
THE WELDING EXPERTS®

The Harris Products Group is a wholly-owned subsidiary of The Lincoln Electric Company. Lincoln has more than 63 manufacturing locations, including operations and joint ventures in 23 countries and a worldwide network of distributors and sales offices covering more than 160 countries.

## SPECIALTY GAS EQUIPMENT

Harris Specialty Gas Equipment Division was founded to provide complete solutions to customer's special gas handling requirements. The breadth of the product line is used in analytical labs, chemical processing, research and development, as well as biotech and pharmaceuticals. Our products bring it all together – proven safety features, quality manufacturing processes, consistency in performance and the best overall value.

### THE MERGER RESULTED FROM A SERIES OF



# MANUFACTURING FACILITIES

Based in Mason, Ohio, The Harris Products Group has four manufacturing locations in six countries and a worldwide network of distributors and sales offices covering more than 90 countries. All Harris® manufacturing facilities are certified to ISO 9001 and ISO 14000 standards.



## ACQUISITIONS BY THE LINCOLN ELECTRIC COMPANY

**2019**  
**Worthington Industries**  
(Solder Products)

**2021**  
**Portugal Brazing Facility**

**2021**  
**Overstreet-Hughes Company, Inc.**  
(Fabricated Tube Products)

**2021**  
**Shoals Tubular, Inc.**

# THE HARRIS PRODUCTS GROUP, a Lincoln Electric Company, is one of the largest independent manufacturers of pressure and flow control equipment in the world.

HARRIS® products are sold and used in over 90 countries. Harris Specialty Gas Equipment Division was founded to provide complete solutions to customer's special gas handling requirements. The breadth of the product line is used in analytical labs, chemical processing, research and development, as well as biotech and pharmaceuticals. In addition to pressure control equipment, HARRIS® offers complete gas management products for flow control, gas purification, cylinder storage and audio / visual pressure indication.

## Quality

The Harris Products Group is certified to ISO 9001:2000. Quality is an integral part in all processes of the company from development, planning, design and manufacturing to sales and service activities. Our quality system is regularly audited on both an internal and external basis to ensure that consistent business processes are applied. Harris equipment is 100% tested, 100% of the time for both workmanship and performance.

All Harris Specialty Gases Equipment are assembled and tested in a cleanroom according to ISO7 standards.



**Specialty gases equipment technology overview ..... 7**

    Cylinder regulators ..... 10

        HPI 100 ..... 10

        HPI 120 ..... 12

        HPI 300 ..... 14

        HPI 600 ..... 16

        HP 701 ..... 18

        HP 741 ..... 20

        HP 742 ..... 22

    Line regulators ..... 24

        HPI 100L ..... 24

        HP 743 ..... 26

        HPI 300L ..... 28

        HPI 600L ..... 30

        HPI 400L ..... 32

        HPI 500L ..... 34

    Gas supply panels ..... 36

        HPI 100P ..... 38

        HPI 200P ..... 40

        HPI 300P ..... 42

        HPI 800P ..... 44

        HPI 600P ..... 46

        HPI 130P ..... 48

        HPI 120P ..... 50

        SG 905 SS ..... 52

        HPI 100PB ..... 54

    Point of use system ..... 55

        HPI 100TP ..... 55

        HPI 101TP ..... 57

        HPI 300TP ..... 59

        HPI 301TP ..... 61

        HPI 400TP ..... 63

        HPI 500TP ..... 65

**Accessories ..... 67**

    Extensions ..... 67

    Purge assemblies ..... 68

    Valves ..... 69

    Flexible hoses ..... 72

    Cylinder wall bracket ..... 72

    Check valves ..... 73

    Relief valves ..... 75

    Stainless steel tube fitting ..... 76

    Pressure gauges ..... 77

    Alarm system ..... 78

**Inlet connection standards ..... 79**

**Materials compatibility ..... 82**

**Moisture conversion ..... 84**



Laboratories



Chemical Industry



Food Processing



Electronics



Specialty Gases



High Pressure



Laser Cutting



Chromatography



High Purity Production

Regulators are designed to control pressure. Proper selection is critical for a safe and effective transfer of the gas from the gas supply to the instrument.

Gases can be supplied as compressed gas in high-pressure cylinders, low-pressure cryogenic cylinders or pipeline installations. The pressure from the supply source must be reduced to the desired working pressure for the application. To accomplish this, a pressure reducing valve (commonly referred to as a regulator) needs to be selected.

Regulators will not measure nor control flow. For that purpose, an external device such as a flowmeter or metering valve specifically designed for flow control should be used. Selection of the correct regulator involves many variables. All items must be considered in making the proper regulator selection.

## How regulators work

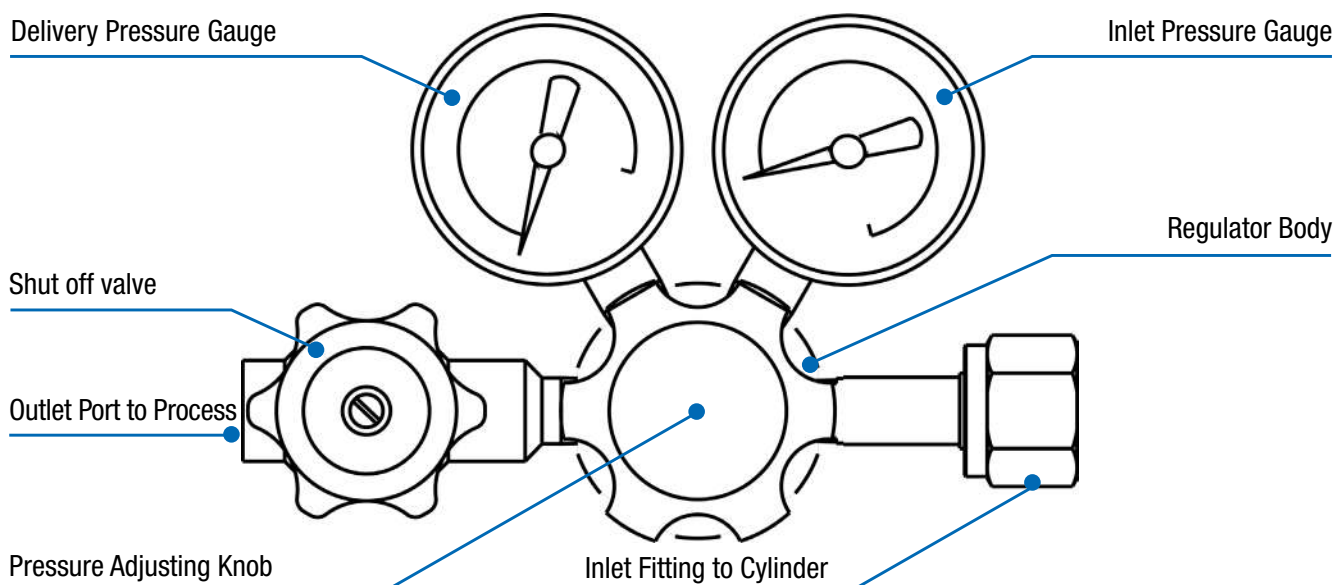
Gas enters the inlet (high-pressure) chamber and its pressure is indicated on the inlet pressure gauge. When the pressure adjusting knob is turned counterclockwise and completely backed out to the stop, a valve and seat assembly located between the inlet chamber and the delivery (low pressure) chamber prevents gas from moving any further.

A filter located at the inlet to the valve and seat assembly, removes particulate matter from the gas stream to help protect the seat area. Turning the pressure-adjusting knob clockwise causes the adjusting screw to push against a spring button that compresses the pressure adjusting spring. The force of the compressed spring, in turn, causes the diaphragm to flex and push against the valve. This opens the regulator allowing gas to flow from the inlet chamber to the delivery chamber of the regulator.

Gas entering the delivery pressure chamber begins to build pressure and creates a counter-force (counter to the pressure adjusting spring) on the diaphragm. This pressure is indicated on the delivery pressure gauge attached to the delivery chamber.

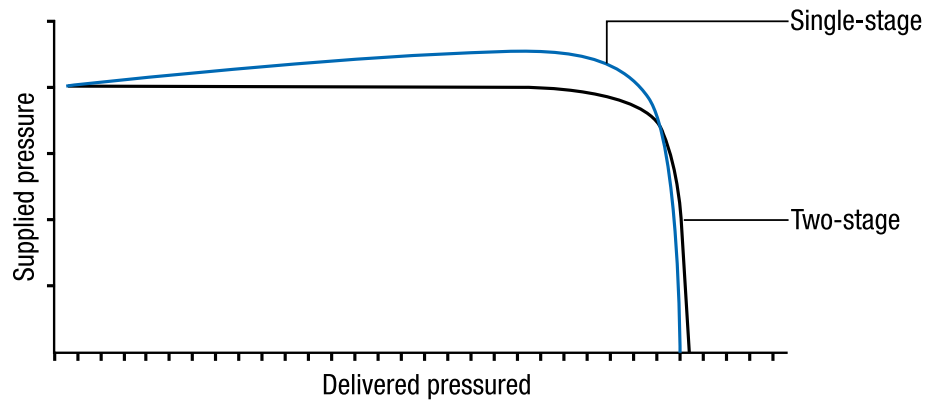
When pressure builds sufficiently to counteract the spring tension, it pushes the diaphragm away from the poppet allowing the regulator valve to close. In this manner, pressure in the delivery chamber is controlled or regulated by the amount of spring tension placed on the diaphragm and is selectable by turning the pressure adjusting knob until desired pressure is indicated on the delivery pressure gauge.

When gas from the delivery pressure chamber is sent to the end process, the resulting decrease in gas volume in the delivery chamber causes a pressure reduction in the chamber. When this occurs, the spring tension again causes the diaphragm to push the valve open, allowing additional gas to enter the delivery chamber.

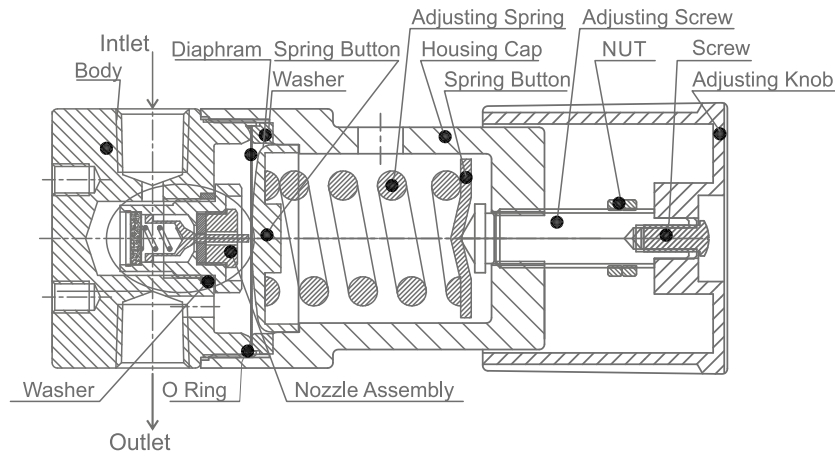


## Pressure regulation, single-stage or two-stage design

All regulators are designed to reduce the inlet pressure to a desired working pressure. The regulator can reduce the pressure in either one step or two steps.

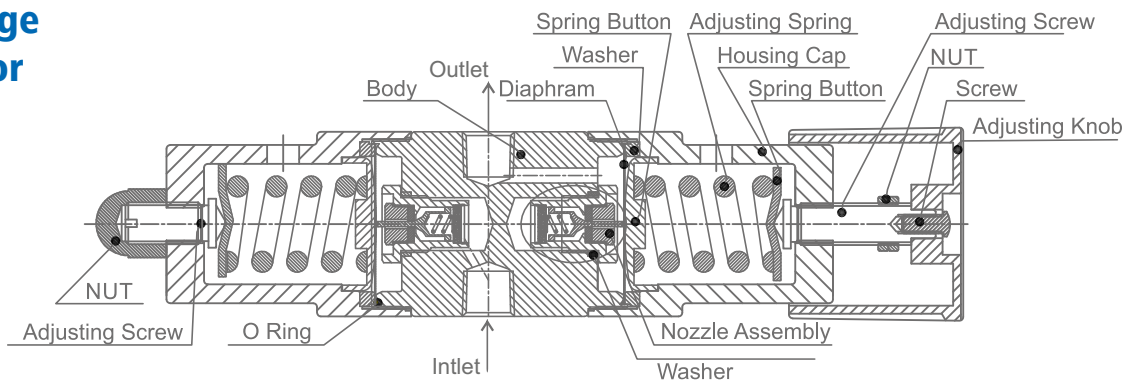


### Single-stage regulator



A single-stage regulator reduces the pressure in one step. Single-stage regulators are best suited for applications where small pressure rise and manual periodic adjustment of the delivery pressure settings is not a problem. The inlet pressure remains constant, such as the case in gas withdrawal from liquid cylinders.

### Two-stage regulator



A two-stage regulator reduces the pressure in two steps, either may be suitable for the application based on the desired pressure control. Two-stage regulators are two regulators built into a single regulator body. The first stage is not user adjustable with the pressure adjusting spring “pre-compressed” at the factory. The second stage then performs in a manner similar to that of a single-stage regulator, except that the inlet pressure to the second stage is relatively constant. The two-stage regulator allows for steady delivery pressure without periodic adjustment, well suited for applications requiring constant pressure from full to nearly empty cylinder.



## Materials compatibility

Materials used to construct the pressure regulator need to be compatible with the intended gas service. All the wetted areas (parts of the regulator in contact with the gas) must be selected to avoid any reaction with the gas that can cause contamination in the gas stream or deterioration of the regulator components. Refer to Gas Materials Compatibility Table on pages 82-83.

All pressure regulators are available in stainless steel 316L and chrome plated brass versions.

### ■ Stainless steel 316L regulators

#### ■ APPLICATIONS:

- For corrosive gases and high-purity applications, under request.
- Compatible with most gas types and low-velocity oxygen applications

#### ■ FEATURES:

- Superior resistance
- Non-reactivity
- Exceptional durability and corrosive resistance (against acid sulfates and alkaline chlorides, sulfuric, hydrochloric, acetic, formic and tartaric acids etc.)
- High-surface finish properties

### ■ Chrome plated brass regulators

#### ■ APPLICATIONS:

- For non-corrosive gases and mixture up to 6.0

#### ■ FEATURES:

- Made of barstock
- Good strength
- Cost effective solution
- Smooth, resistant surface

## Inlet Pressure Rating

Inlet pressures can range from low pressure in pipeline usage to high pressure from compressed gas cylinders. Regulators used in a pipeline will normally have only one gauge to indicate delivery pressure while a cylinder regulator will have two gauges; one to show inlet pressure and the other to show delivery pressure. An exception to this would be the use of regulators for liquid gas cylinders. In this application, only the delivery pressure gauge would be required since the supply pressure is generally constant. When selecting the regulator it must be capable of handling the incoming inlet pressure.

## Delivery Pressure Range

The desired working pressure for the operation may range from low pressure (up to 2 bar) to a much higher working pressure (up to 200 bar). The regulator selected must be able to supply the proper working pressure consistent with the requirements of the process.

## Gas Purity

Maintaining the purity level of the gas is of primary importance in the selection of the regulator. The selected regulator must be resistant to any introduction of contaminants that can be detrimental to the process. In addition to the proper selection of materials for gas compatibility, the design, assembly and testing of the regulator are critical items to consider in the selection process. Clean room assembly and helium leak testing are our common procedures used to ensure the integrity of the regulator.

## Cylinder regulators

### HPI 100

#### High purity single-stage barstock regulator



Model HPI 100 is a single-stage cylinder regulator available in chrome-plated brass (HPI 100C) or stainless steel (HPI 100S) barstock. Designed for applications where a slight rise in delivery pressure from full to empty cylinder can be tolerated.

#### APPLICATIONS:

- High purity gas applications
- Research sample systems gases
- Gas chromatography
- Calibration gas
- Process analyzer gases
- Emission monitoring systems

#### FEATURES:

- Recommended gases purity levels up to grade 6.0 (99.9999)
- Stainless steel version applicable also for corrosive gases after prior confirmation of the material's compatibility
- 316L stainless steel diaphragm eliminates contamination from diffusion or outgassing
- Low wetted surface area
- HPI 100C - chrome-plated body, bonnet and fittings
- HPI 100S - 316L stainless steel body, bonnet and fittings
- $1 \times 10^{-9}$  mbar l/s He inboard helium leak rate to maintain gas purity levels
- 6 ports flexible configuration, 3 high pressure and 3 low pressure
- 1/8" NPT thread on the bonnet venting for safety in 316L SS version
- Maximum inlet pressure 300 bar (4350 psig), except for Acetylene: max. 25 bar (362 psig)
- Cleaned for oxygen service

#### TECHNICAL DATA:

Type	Single-stage
Purity	Up to 6.0
Inlet pressure	Max. 300 bar (4350 psig) For Acetylene: max. 25 bar (362 psig)
Outlet pressure	1,5/2/4/10/20 bar (21/29/58/145/290 psig) For Acetylene: max. 1,5 bar (21 psig)
Flow capacity	Kv = 0,0602 (Cv = 0,07)
Gauges	49mm dual scale (bar/psig)
Oxygen use	Suitable

#### MATERIALS:

Body, bonnet	316L stainless steel barstock or chrome-plated brass barstock
Diaphragm	Hastelloy®*C276
Nozzle	316L stainless steel
Seat	PCTFE
Seals O-ring	Viton®** (FKM) Kalrez®*** (FFKM) for corrosive gases
Filter	SS 316L Micro Sintered
Adjusting Knob	ABS plastic

\* Hastelloy® is a registered trademark name of Haynes International, Inc

\*\* Viton® is a registered trademark of The Chemours Company

\*\*\* Kalrez® is a registered trademark of DuPont



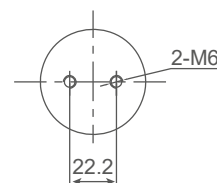
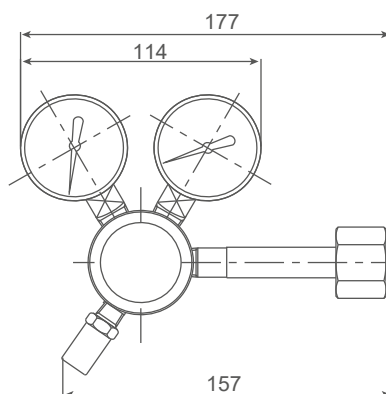
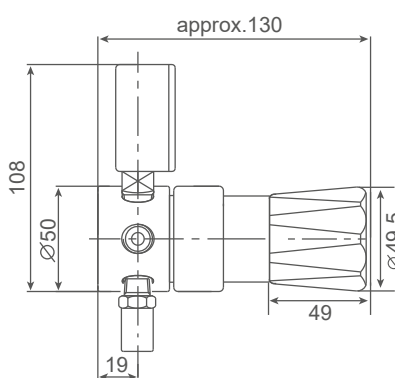
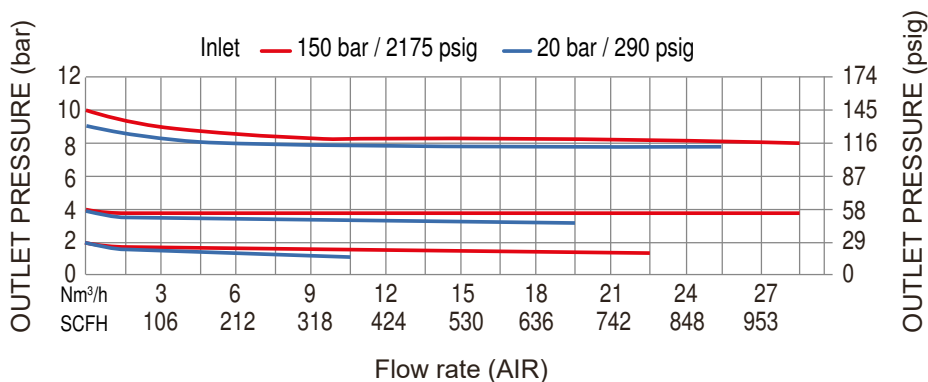
Model shown with additional accessories to be ordered separately

## SPECIFICATIONS:

Inlet / outlet ports	1/4" FNPT
Weight	1,3 kg

## FLOW CHART:

### HPI 100



## ORDERING INFORMATION:

MODEL	MATERIAL	INLET CONFIGURATION	OUTLET PRESSURE	INLET CONNECTION*	OUTLET CONFIGURATION	OPTIONS	GAS TYPE
HPI 100C	Chrome-plated brass	Right	R	0 - 1,5 bar 0 - 21 psig	021 1/4" FNPT 000	1/4" FNPT A	He leak cert. (inboard) 2
HPI 100S	Stainless steel	Left	L	0 - 2 bar 0 - 29 psig	029 DIN 477 D...	1/4" FNPT diaphragm valve B	No gauges 3
				0 - 4 bar 0 - 58 psig	058 CGA C...	1/4" MNPT nipple C	With relief valve 4
				0 - 10 bar 0 - 145 psig	145 AFNOR NF...	1/4" tube fitting D	60 bar inlet gauge 6
				0 - 20 bar 0 - 290 psig	290 BS341 BS...	1/8" tube fitting E	Corrosive gas 7
					UNI U...	6 mm tube fitting F	Wall Bracket P
					NEN 3268 N...	8 mm tube fitting G	High Pressure Contact Gauge HPCG
					ISO 5145 I...	10 mm tube fitting H	Low Pressure Contact Gauge LPCG
						G3/8" RH I	Diaphragm Valve with Lever DVL
						G3/8" LH J	
						G1/4" RH K	

Other options upon request, please contact us

For example:

HPI 100C R 145 D 6 BF 2 Ar

\* To indicate the requested inlet connection please see pages 83 - 85

## HPI 120

### High purity two-stage barstock regulator



Model HPI 120 is a two-stage cylinder regulator available in chrome-plated brass (HPI 120C) or stainless steel (HPI 120S) barstock. Designed for constant delivery pressure from full to near empty cylinder conditions.

#### APPLICATIONS:

- High purity gas applications
- Research sample systems gases
- Gas chromatography
- Calibration gas
- Process analyzer gases
- Emission monitoring systems
- Laser applications

#### FEATURES:

- Recommended gases purity levels up to grade 6.0 (99.9999)
- Stainless steel version applicable also for corrosive gases after prior confirmation of the material's compatibility
- 316L stainless steel diaphragm eliminates contamination from diffusion or outgassing
- Low wetted surface area
- HPI 120C - chrome-plated body, bonnet and fittings
- HPI 120S - 316L stainless steel body, bonnet and fittings
- $1 \times 10^{-9}$  mbar l/s He inboard helium leak rate to maintain gas purity levels
- 1/8" NPT thread on the bonnet venting for safety in 316L SS version
- Maximum inlet pressure 300 bar (4350 psig), except for Acetylene: max. 25 bar (362 psig)
- Cleaned for oxygen service

#### TECHNICAL DATA:

Type	Two-stage
Purity	Up to 6.0
Inlet pressure	Max. 300 bar (4350 psig) For Acetylene: max 25 bar (362 psig)
Outlet pressure	1,5/2/4/10/20 bar (21/29/58/145/290 psig) For Acetylene: max 1,5 bar (21 psig)
Flow capacity	$K_v = 0,0602$ ( $C_v = 0,07$ )
Gauges	49mm dual scale (bar/psig)
Oxygen use	Suitable

#### MATERIALS:

Body, bonnet	316L stainless steel barstock or chrome-plated brass barstock
Diaphragm	Hastelloy®*C276
Nozzle	316L stainless steel
Seat	PCTFE
Seals O-ring	Viton®** (FKM) Kalrez®*** (FFKM) for corrosive gases
Filter	SS 316L Micro Sintered
Adjusting Knob	ABS plastic

\* Hastelloy® is a registered trademark name of Haynes International, Inc

\*\* Viton® is a registered trademark of The Chemours Company

\*\*\* Kalrez® is a registered trademark of DuPont



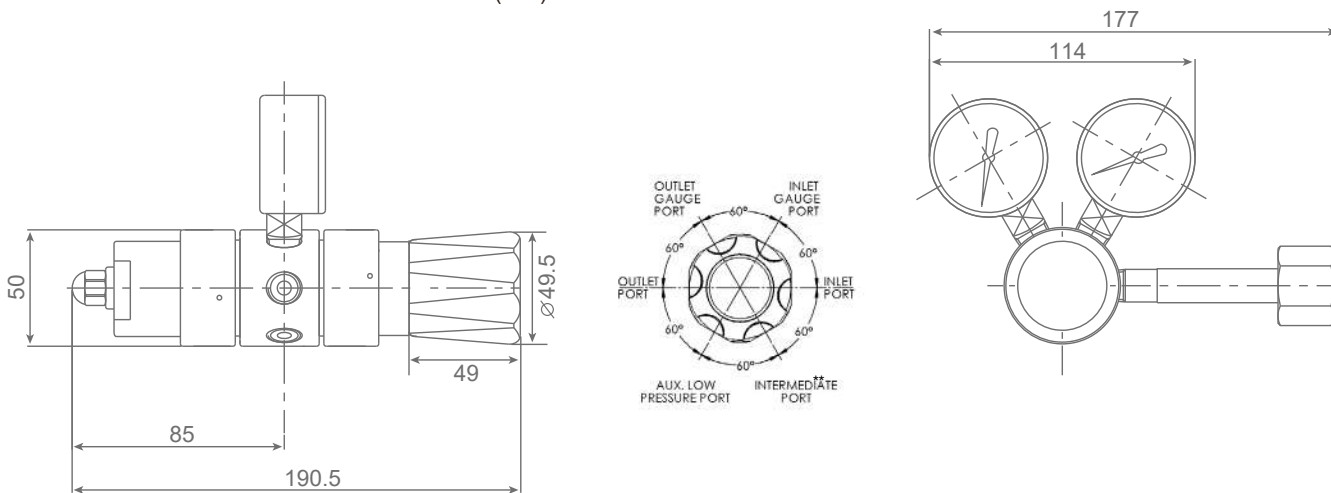
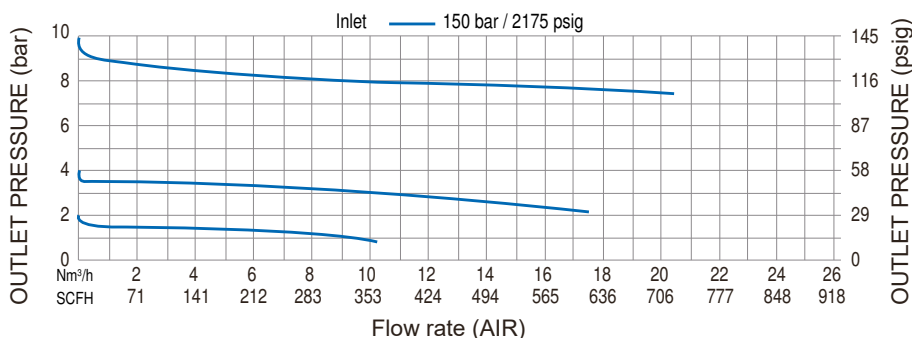
Model shown with additional accessories to be ordered separately

## SPECIFICATIONS:

Inlet / outlet ports	1/4" FNPT
Weight	2,1 kg

## FLOW CHART:

### HPI 120



## ORDERING INFORMATION:

MODEL	MATERIAL	INLET CONFIGURATION	OUTLET PRESSURE	INLET CONNECTION*	OUTLET CONFIGURATION	OPTIONS	GAS TYPE
HPI 120C	Chrome-plated brass	Right (only)	R	0 - 1 bar 0 - 15 psig	015 1/4" FNPT 000	1/4" FNPT A	He leak cert. (inboard) 2
HPI 120S	Stainless steel			0 - 1,5 bar 0 - 21 psig	021 DIN 477 D...	1/4" FNPT diaphragm valve B	No gauges 3
				0 - 2 bar 0 - 29 psig	029 CGA C...	1/4" MNPT nipple C	With relief valve (at low pressure side) 4
				0 - 4 bar 0 - 58 psig	058 AFNOR NF...	1/4" tube fitting D	Corrosive Gases 7
				0 - 10 bar 0 - 145 psig	145 BS341 BS...	1/8" tube fitting E	High Pressure Contact HPCG Gauge
				0 - 20 bar 0 - 290 psig	290 UNI U...	6 mm tube fitting F	Low Pressure Contact LPCG Gauge
					NEN 3268 N...	8 mm tube fitting G	Diaphragm Valve with DVL Lever
					ISO 5145 I...	10 mm tube fitting H	
						G3/8" RH I	
						G3/8" LH J	
						G1/4" RH K	

Other options upon request, please contact us

For example:

HPI 120C R 058 000 BE 2 Ar

\* To indicate the requested inlet connection please see pages 83 - 85

\*\* Between 1 and 2 stage



## HPI 300

### High purity and high flow single-stage barstock cylinder regulator

Model HPI 300 is a cylinder manifold regulator available in chrome-plated brass (HPI 300C) or stainless steel (HPI 300S) barstock for gases up to 300 bar (4350 psig) inlet pressure.

#### APPLICATIONS:

- Non-corrosive high flow gas applications
- Research sample systems gases
- Petrochemical industry
- Process analyzer gases
- Emission monitoring systems

#### FEATURES:

- Recommended gases purity levels up to grade 6.0 (99.9999) and delivery pressures up to 35 bar (508 psig)
- Stainless steel version applicable also for corrosive gases after prior confirmation of the material's compatibility
- 316L stainless steel diaphragm eliminates contamination from diffusion or outgassing
- HPI 300C - chrome-plated body, bonnet and fittings
- HPI 300S - 316L stainless steel body, bonnet and fittings
- $1 \times 10^{-9}$  mbar l/s He inboard helium leak rate to maintain gas purity levels
- 6 ports flexible configuration, 3 high pressure and 3 low pressure
- 1/8" NPT thread on the bonnet venting for safety in 316L SS version
- Maximum inlet pressure 300 bar (4350 psig), except for Acetylene: max. 25 bar (362 psig)
- Cleaned for oxygen service



Model shown with additional accessories to be ordered separately

#### TECHNICAL DATA:

Type	Single-stage
Purity	Up to 6.0
Inlet pressure	Max. 300 bar (4350 psig) For Acetylene: max. 25 bar (362 psig)
Outlet pressure	1,5/2/4/10/20 bar (21/29/58/145/290 psig) For Acetylene: max 1,5 bar (21 psig)
Flow capacity	Kv = 0,86 (Cv = 1,0)
Gauges	49mm dual scale (bar/psig)
Oxygen use	Suitable

#### MATERIALS:

Body, bonnet	316L stainless steel barstock or chrome-plated brass barstock
Diaphragm	Hastelloy®*C276
Nozzle	316L stainless steel
Seat	PCTFE
Seals O-ring	Viton®** (FKM) Kalrez®*** (FFKM) for corrosive gases
Filter	SS 316L Micro Sintered
Adjusting Knob	ABS plastic

\* Hastelloy® is a registered trademark name of Haynes International, Inc

\*\* Viton® is a registered trademark of The Chemours Company

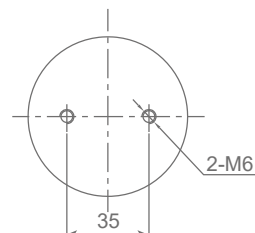
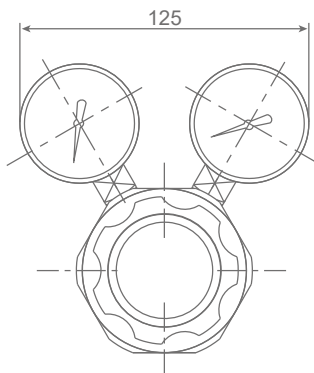
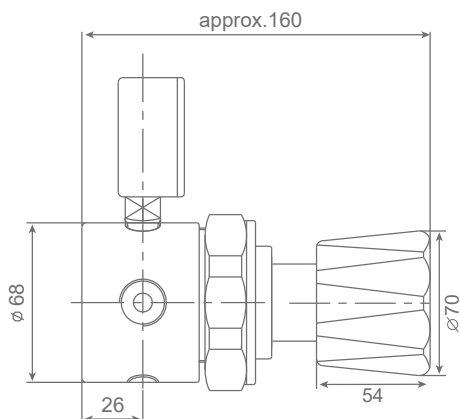
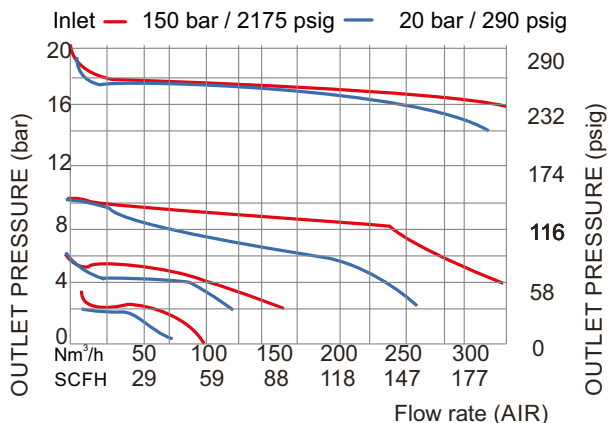
\*\*\* Kalrez® is a registered trademark of DuPont

## SPECIFICATIONS:

Inlet port	1/4" FNPT
Outlet port	1/2" FNPT
Gauges/Relief valve port	1/4" FNPT
Weight	2,7 kg

## FLOW CHART:

### HPI 300



## ORDERING INFORMATION:

MODEL	MATERIAL	INLET CONFIGURATION	OUTLET PRESSURE	INLET CONNECTION*	OUTLET CONFIGURATION	OPTIONS	GAS TYPE
HPI 300C	Chrome-plated brass	Right R	0 - 1,5 bar 0 - 21 psig	021 1/4" FNPT	000 1/2" FNPT A	He leak cert. (inboard) 2	Please specify
HPI 300S	Stainless steel	Left L	0 - 2 bar 0 - 29 psig	029 DIN 477	D...	No gauges 3	
			0 - 4 bar 0 - 58 psig	058 CGA	C...	With Relief Valve 4	
			0 - 10 bar 0 - 145 psig	145 AFNOR	NF...	Corrosive Gases 7	
			0 - 20 bar 0 - 290 psig	290 BS341	BS...	High Pressure Contact Gauge HPCG	
			0 - 35 bar 0 - 508 psig	508 UNI	U...	Low Pressure Contact Gauge LPCG	
				NEN 3268	N...	Wall Bracket P	
				ISO 5145	I...		

Other options upon request, please contact us

For example:

HPI 300C R 145 000 A 2 N<sub>2</sub>

\* To indicate the requested inlet connection please see pages 83 - 85



## HPI 600

### High purity and high pressure single-stage cylinder regulator

The Model HPI 600 is a single-stage barstock high pressure regulator that is designed to deliver high outlet pressure when used on high pressure cylinders up to 300 bar (4350 psig). Regulator is available in chrome-plated brass (HPI 600C) or stainless steel (HPI 600S).

#### APPLICATIONS:

- High pressure gas applications
- High pressure testing
- Charging accumulators
- Pressurizing aircraft struts

#### FEATURES:

- Recommended gases purity levels up to grade 6.0 (99.9999)
- Stainless steel version applicable also for corrosive gases after prior confirmation of the material's compatibility
- 316L stainless steel diaphragm eliminates contamination from diffusion or outgassing
- HPI 600C - chrome-plated body, bonnet and fittings
- HPI 600S - 316L stainless steel body, bonnet and fittings
- $1 \times 10^{-9}$  mbar l/s He inboard helium leak rate to maintain gas purity levels
- 6 ports flexible configuration, 3 high pressure and 3 low pressure
- 1/8" NPT thread on the bonnet venting for safety in 316L SS version
- Maximum inlet pressure 300 bar (4350 psig)
- Cleaned for oxygen service

#### TECHNICAL DATA:

Type	Single-stage
Purity	Up to 6.0
Inlet pressure	Max. 300 bar (4350 psig)
Outlet pressure	50/100/200 bar (725/1450/2900 psig)
Flow capacity	$K_v = 0,129$ ( $C_v = 0,15$ )
Gauges	49mm dual scale (bar/psig)
Oxygen use	Suitable

#### MATERIALS:

Body, bonnet	316L stainless steel barstock or chrome-plated brass barstock
Diaphragm	Hastelloy®**C276
Nozzle	316L stainless steel
Seat	PCTFE
Seals O-ring	Viton®** (FKM) Kalrez®*** (FFKM) for corrosive gases
Filter	SS 316L Micro Sintered
Adjusting Knob	ABS plastic



Model shown with additional accessories to be ordered separately

\* Hastelloy® is a registered trademark name of Haynes International, Inc

\*\* Viton® is a registered trademark of The Chemours Company

\*\*\* Kalrez® is a registered trademark of DuPont





## HP 701

### High purity chrome-plated brass regulator

Model HP 701 is a chrome-plated single-stage cylinder regulator with a stainless steel diaphragm for general laboratory use. The HP 701 can be used when a slight pressure rise from full to empty cylinder can be tolerated.

#### APPLICATIONS:

- Non-corrosive gases
- Vacuum control
- Purging
- Pressure testing
- Blanketing

#### FEATURES:

- Recommended for gas purity up to grade 5.0 (99.999)
- Applicable for corrosive gases after prior confirmation of the material's compatibility
- 302L stainless steel diaphragm eliminates contamination from diffusion or outgassing
- One-piece encapsulated seat design to protect seat from particulate contamination
- Chrome-plated bonnet, body and fittings
- $1 \times 10^{-8}$  mbar l/s He inboard helium leak rate to maintain gas purity levels
- Maximum inlet pressure 210 bar (3000 psig)

#### TECHNICAL DATA:

Type	Single-stage
Purity	Up to 5.0
Inlet pressure	Max. 210 bar (3000 psig)
Outlet pressure	0-1/3,5/8,5/17 bar (15/50/125/250 psig)
Flow capacity	$K_v = 0,1462$ ( $C_v = 0,17$ )
Oxygen use	Suitable

#### MATERIALS:

Body	Chrome-plated brass
Bonnet	Chrome-plated die cast
Diaphragm	302 stainless steel
Nozzle	Brass
Seat	PTFE Teflon®*
Seals	PTFE Teflon®*
Filter	Nickel-plated sintered bronze - 10 micron
Seat	PH-17 stainless steel
Adjusting Knob	ABS plastic

#### SPECIFICATIONS:

Inlet / outlet ports	1/4" FNPT
Weight	1,6 kg

\* Teflon® is a registered trademark of The Chemours Company

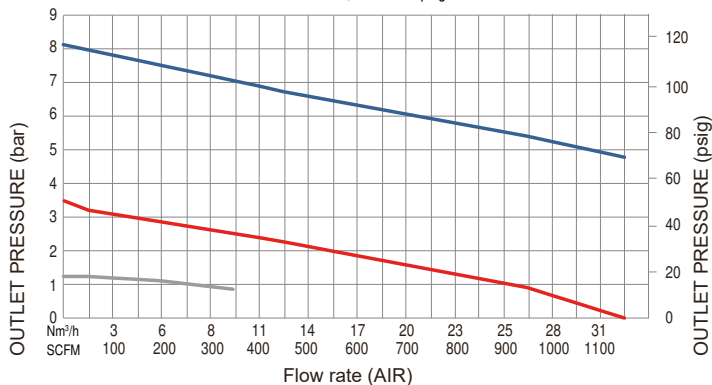


Model shown with additional accessories to be ordered separately

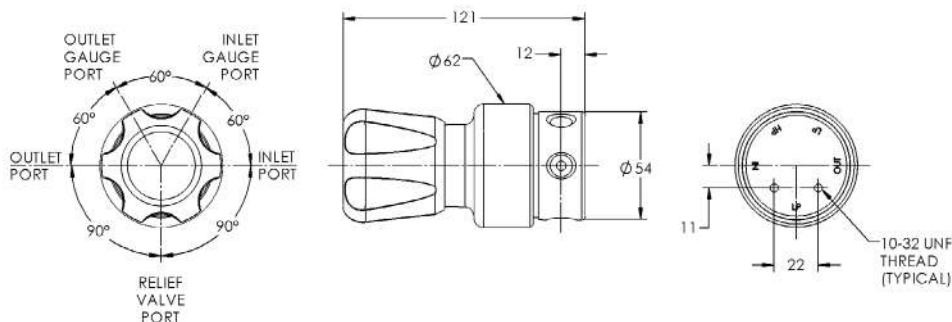
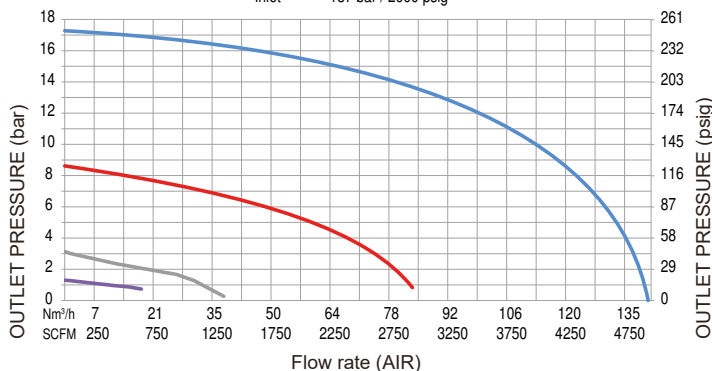
## FLOW CHART:

### HP 701

Inlet — 13,7 bar / 200 psig



Inlet — 137 bar / 2000 psig



## ORDERING INFORMATION:

MODEL	INLET CONFIGURATION	OUTLET PRESSURE	INLET CONNECTION*	OUTLET CONFIGURATION	OPTIONS	GAS TYPE
HP 701	Right	0 - 1 bar 0 - 15 psig	015 1/4" FNPT	000 1/4" FNPT	A He leak cert. (inboard)	2 Please specify
		0 - 3,5 bar 0 - 50 psig	050 DIN 477	D... 1/4" FNPT diaphragm valve	B No gauges	3
		0 - 8,5 bar 0 - 125 psig	125 CGA	C... 1/4" MNPT nipple	C With relief valve	4
		0 - 17 bar 0 - 250 psig	250 AFNOR	NE... 1/4" tube fitting	D 60 bar inlet gauge	6
			BS341	BS... 1/8" tube fitting	E Wall Bracket	P
			UNI	U... 6 mm tube fitting	F Diaphragm Valve with Lever	DVL
Other options upon request, please contact us			NEN 3268	N... 8 mm tube fitting	G	
			ISO 5145	I... 10 mm tube fitting	H	

For example:

HP 701

015 D 6

BF

2

Ar

\* To indicate the requested inlet connection please see pages 83 - 85

## HP 741

### High purity stainless steel barstock regulator

Model HP 741 is a single-stage stainless steel cylinder regulator for applications where a slight rise in delivery pressure from full to empty cylinder can be tolerated.

#### APPLICATIONS:

- Corrosive gas applications
- High purity gas applications
- Research sample systems gases
- Process analyzer gases
- Gas chromatography
- EPA protocol gases
- Laser gas systems
- Emission monitoring systems

#### FEATURES:

- Recommended for corrosive gases or purity levels of grade 6.0 (99.9999) and higher\*
- 316L stainless steel diaphragm eliminates contamination from diffusion or outgassing
- One piece encapsulated seat design includes a sintered filter to protect the seat from particulate contamination
- Chrome-plated bonnet, 316L SS body and fittings
- $1 \times 10^{-9}$  mbar l/s He inboard helium leak rate to maintain gas purity levels
- The 1/8" NPT thread on the bonnet venting for safety
- Maximum inlet pressure 210 bar (3000 psig)

#### TECHNICAL DATA:

Type	Single-stage
Purity	6.0 and higher
Inlet pressure	Max. 210 bar (3000 psig)
Outlet pressure	0-1/3,5/8,5/17/35 bar (15/50/125/250/500 psig)
Flow capacity	Kv = 0,0688 (Cv = 0,08)
Oxygen use	Suitable

#### MATERIALS:

Body	316L stainless steel barstock
Bonnet	Chrome-plated brass barstock
Diaphragm	316L stainless steel
Nozzle	316L stainless steel
Seat	PTFE Teflon®**
Seals	PTFE Teflon®**
Filter	Sintered stainless steel - 10 micron
Seat	Return spring 316L stainless steel
Adjusting Knob	ABS plastic

#### SPECIFICATIONS:

Inlet / outlet ports	1/4" FNPT
Weight	1,32 kg

\* Please check the material's compatibility

\*\* Teflon® is a registered trademark of The Chemours Company



Model shown with additional accessories to be ordered separately

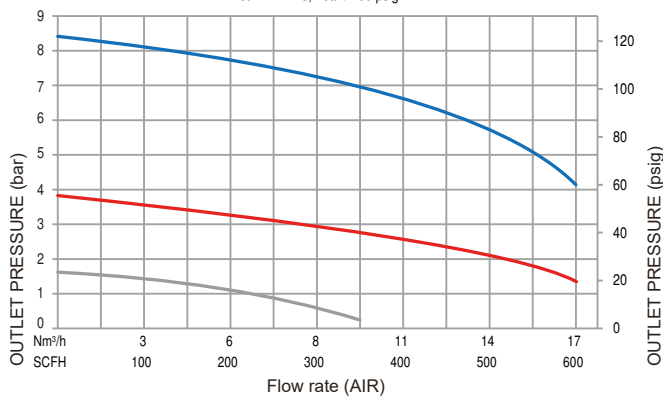
#### RELATED OPTIONS:

- Front Panel Mount Kit P/N: 9100871
- Wall mounting Bracket P/N: 9101242

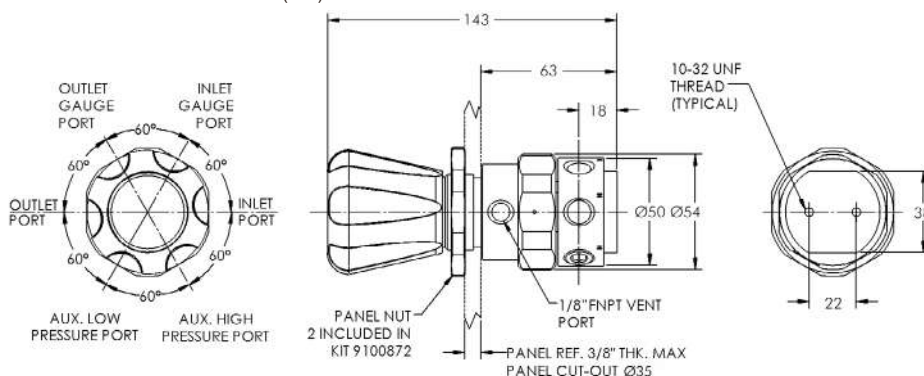
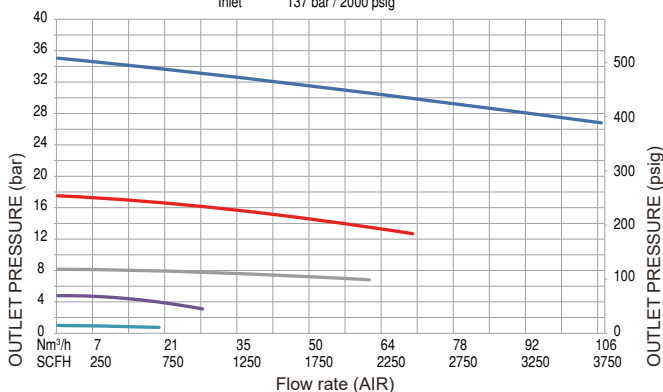


## FLOW CHART: HP 741

Inlet — 13,7 bar / 200 psig



Inlet 137 bar / 2000 psig



## ORDERING INFORMATION:

MODEL	INLET CONFIGURATION	OUTLET PRESSURE	INLET CONNECTION*	OUTLET CONFIGURATION	OPTIONS	GAS TYPE		
HP 741	Right	0 - 1 bar 0 - 15 psig	015 1/4" FNPT	000 1/4" FNPT	A He leak cert. (inboard)	2 Please specify		
		0 - 3,5 bar 0 - 50 psig	050 DIN 477	D... 1/4" FNPT diaph. valve	B No gauges	3		
		0 - 8,5 bar 0 - 125 psig	125 CGA	C... 1/4" MNPT nipple	C With relief valve	4		
		0 - 17 bar 0 - 250 psig	250 AFNOR	NF... 1/4" tube fitting	D 60 bar inlet gauge	6		
		0 - 34 bar 0 - 500 psig	500 BS341	BS... 1/8" tube fitting	E Wall Bracket	P		
			UNI	U... 6 mm tube fitting	F Diaphragm Valve with Lever	DVL		
			NEN 3268	N... 8 mm tube fitting	G			
			ISO 5145	I... 10 mm tube fitting	H			
		Other options upon request, please contact us						

For example:

HP 741 015 D 6 BF 2 Ar

\* To indicate the requested inlet connection please see pages 83 - 85

## HP 742

### High purity stainless steel barstock regulator

Model HP 742 is a two-stage stainless steel cylinder regulator for constant delivery pressure from full to near empty cylinder conditions.

#### APPLICATIONS:

- Corrosive gas applications
- High purity gas applications
- Research sample systems gases
- Process analyzer gases
- Gas chromatography
- EPA protocol gases
- Laser gas systems
- Emission monitoring systems

#### FEATURES:

- Recommended for corrosive gases or purity levels of grade 6.0 (99.9999) and higher\*
- 316L stainless steel diaphragm eliminates contamination from diffusion or outgassing
- One-piece encapsulated seat design includes a sintered filter to protect the seat from particulate contamination
- Chrome-plated bonnet, 316L SS body and fittings
- $1 \times 10^{-9}$  mbar l/s He inboard helium leak rate to maintain gas purity levels
- 1/8" NPT thread on the bonnet venting for safety
- Maximum inlet pressure 210 bar (3000 psig)

#### TECHNICAL DATA:

Type	Two-stage
Purity	6.0 and higher
Inlet pressure	Max. 210 bar (3000 psig)
Outlet pressure	0-1/3,5/8,5/17/35 bar (15/50/125/250/500 psig)
Flow capacity	Cv = 0,06
Oxygen use	Suitable

#### MATERIALS:

Body	316L stainless steel barstock
Bonnet	Chrome-plated brass barstock
Diaphragm	316L stainless steel
Nozzle	316L stainless steel
Seat	PTFE Teflon®**
Seals	PTFE Teflon®**
Filter	Sintered stainless steel - 10 micron
Seat	Return spring 316L stainless steel
Adjusting Knob	ABS plastic

#### SPECIFICATIONS:

Inlet / outlet ports	1/4" FNPT
Weight	2,01 kg



Model shown with additional accessories to be ordered separately

\* Please check the material's compatibility

\*\* Teflon® is a registered trademark of The Chemours Company





## HPI 100L High purity single-stage line regulator

Model HPI 100L is a line regulator available in chrome-plated brass (HPI 100LC) or stainless steel (HPI 100LS) barstock, for pipeline and other applications up to 40 bar (580 psig) inlet pressure.

### APPLICATIONS:

- High purity gas applications
- Research sample systems gases
- Gas chromatography
- Calibration gas
- Process analyzer gases
- Emission monitoring systems

### FEATURES:

- Recommended gases purity levels up to grade 6.0 (99.9999)
- Stainless steel version applicable also for corrosive gases after prior confirmation of the material's compatibility
- 316L stainless steel diaphragm eliminates contamination from diffusion or outgassing
- Low wetted surface area
- HPI 100LC - chrome-plated body, bonnet and fittings
- HPI 100LS - 316L stainless steel body, bonnet and fittings
- $1 \times 10^{-9}$  mbar l/s He inboard helium leak rate to maintain gas purity levels
- 4 ports flexible configuration
- 1/8" NPT thread on the bonnet venting for safety in 316L SS version
- Maximum inlet pressure 40 bar (580 psig), except for Acetylene: max. 25 bar (362 psig)
- Cleaned for oxygen service

### TECHNICAL DATA:

Type	Single-stage
Purity	Up to 6.0
Inlet pressure	Max. 40 bar (580 psig) For Acetylene: max. 25 bar (362 psig)
Outlet pressure	1,5/2/4/10/20 bar (21/29/58/145/290 psig) For Acetylene: max 1,5 bar (21 psig)
Flow capacity	Kv = 0,1548 (Cv = 0,18)
Gauges	49mm dual scale (bar/psig)
Oxygen use	Suitable

### MATERIALS:

Body, bonnet	316L stainless steel barstock or chrome-plated brass barstock
Diaphragm	Hastelloy <sup>®</sup> *C276
Nozzle	316L stainless steel
Seat	PCTFE
Seals O-ring	Viton <sup>®</sup> ** (FKM) Kalrez <sup>®</sup> *** (FFKM) for corrosive gases
Filter	SS 316L Micro Sintered
Adjusting Knob	ABS plastic

\* Hastelloy<sup>®</sup> is a registered trademark name of Haynes International, Inc

\*\* Viton<sup>®</sup> is a registered trademark of The Chemours Company

\*\*\* Kalrez<sup>®</sup> is a registered trademark of DuPont



Model shown with additional accessories to be ordered separately

### RELATED OPTIONS:

Wall mounting bracket: HPI-L-BPB

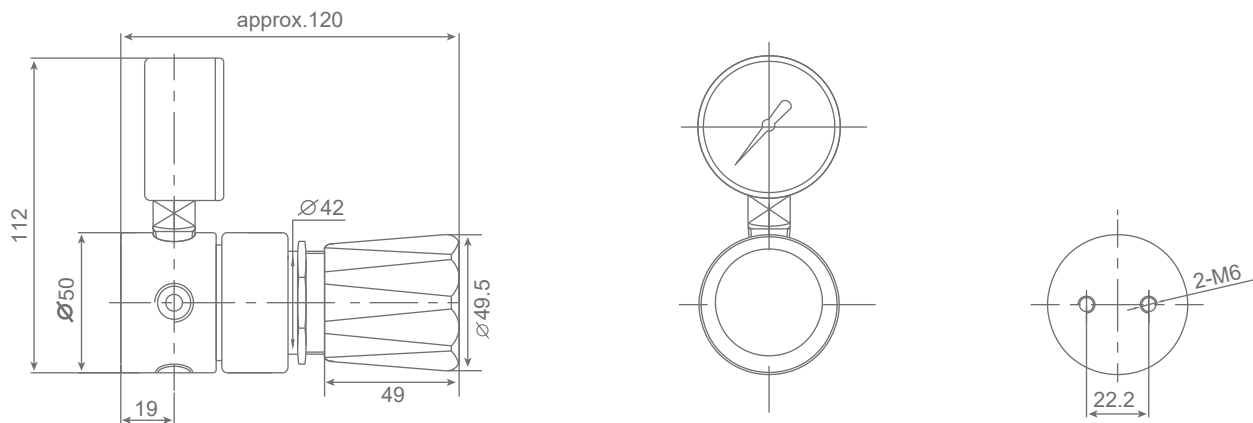
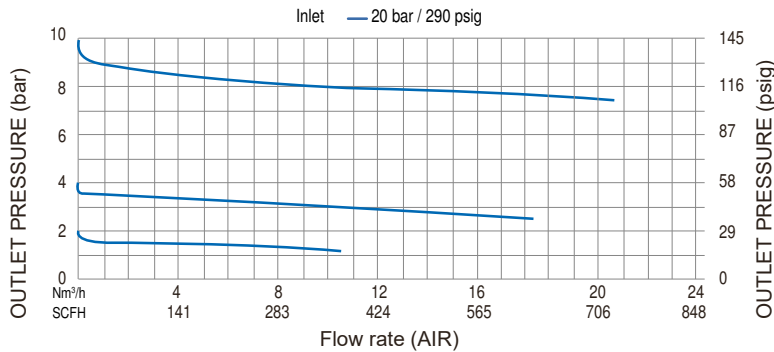




## SPECIFICATIONS:

Inlet / outlet ports	1/4" FNPT
Weight	1,04 kg

## FLOW CHART: HPI 100L



## ORDERING INFORMATION:

MODEL	MATERIAL	INLET CONFIGURATION	OUTLET PRESSURE	INLET CONNECTION	OUTLET CONFIGURATION	OPTIONS	GAS TYPE
HPI 100LC	Chrome-plated brass	Right	R	0 - 1 bar 0 - 15 psig	015 1/4" FNPT 000	1/4" FNPT A	He leak cert. (inboard) 2
HPI 100LS	Stainless steel	Left	L	0 - 1,5 bar 0 - 21 psig	021 1/4" MNPT 001	1/4" FNPT diaphragm valve B	No gauges 3
				0 - 2 bar 0 - 29 psig	029 1/4" tube fitting 002	1/4" MNPT nipple C	With relief valve 4
				0 - 4 bar 0 - 58 psig	058 6 mm tube fitting 003	1/4" tube fitting D	He leak cert. (outboard) 5
				0 - 10 bar 0 - 145 psig	145 8 mm tube fitting 004	1/8" tube fitting E	Corrosive Gases 7
				0 - 20 bar 0 - 290 psig	290	6 mm tube fitting F	Wall mounting Bracket P
						8 mm tube fitting G	Diaphragm Valve with Lever DVL
						10 mm tube fitting H	

Other options upon request, please contact us

For example:

HPI 100LC R 058 001 BE 2 Ar

## HP 743

### High purity stainless steel barstock regulator

Model HP 743 is a stainless steel pipeline regulator for pipeline and other applications up to 210 bar (3000 psig) inlet pressure.

#### APPLICATIONS:

- Corrosive gas applications
- High purity gas applications
- Research sample systems gases
- Process analyzer gases
- Gas chromatography
- EPA protocol gases
- Laser gas systems
- Emission monitoring systems

#### FEATURES:

- Recommended for corrosive gases or purity levels of grade 6.0 (99.9999) and higher\*
- 316L stainless steel diaphragm eliminates contamination from diffusion or outgassing
- One piece encapsulated seat design includes a sintered filter to protect the seat from particulate contamination
- Chrome-plated bonnet, 316L SS body and fittings
- $1 \times 10^{-9}$  mbar l/s He inboard helium leak rate to maintain gas purity levels
- The 1/8" NPT thread on the bonnet venting for safety
- Maximum inlet pressure 210 bar (3000 psig)

#### TECHNICAL DATA:

Type	Single-stage
Purity	6.0 and higher
Inlet pressure	Max. 210 bar (3000 psig)
Outlet pressure	0-1/3,5/8,5/17/35 bar (15/50/125/250/500 psig)
Flow capacity	Kv = 0,0688 (Cv = 0,08)
Oxygen use	Suitable

#### MATERIALS:

Body	316L stainless steel barstock
Bonnet	Chrome-plated brass barstock
Diaphragm	316L stainless steel
Nozzle	316L stainless steel
Seat	PTFE Teflon®**
Seals	PTFE Teflon®**
Filter	Sintered stainless steel - 10 micron
Seat	Return spring 316L stainless steel
Adjusting Knob	ABS plastic

#### SPECIFICATIONS:

Inlet / outlet ports	1/4" FNPT
Weight	1,22 kg

\* Please check the material's compatibility

\*\* Teflon® is a registered trademark of The Chemours Company



Model shown with additional accessories to be ordered separately

#### RELATED OPTIONS:

Front Panel Mount Kit P/N: 9100871

Wall mounting Bracket P/N: 9101242







## HPI 300L

### High purity and high flow single-stage barstock line regulator

Model HPI 300L is in-line manifold regulator available in chrome-plated brass (HPI 300LC) or stainless steel (HPI 300LS) barstock, for pipeline and other application up to 100 bar (1450 psig) inlet pressure.

#### APPLICATIONS:

- High flow gas applications
- High purity gas applications
- Bulk gas distribution systems
- Laser gas systems
- Process analyzer gases
- Research sample systems gases
- Petrochemical industry
- Emission monitoring systems

#### FEATURES:

- Recommended gases purity levels up to grade 6.0 (99.9999) and delivery pressures up to 50 bar (725 psig)
- Stainless steel version applicable also for corrosive gases after prior confirmation of the material's compatibility
- 316L stainless steel diaphragm eliminates contamination from diffusion or outgassing
- HPI 300LC - chrome-plated body, bonnet and fittings
- HPI 300LS - 316L stainless steel body, bonnet and fittings
- $1 \times 10^{-9}$  mbar l/s He inboard helium leak rate to maintain gas purity levels
- 1/8" NPT thread on the bonnet venting for safety in 316L SS version
- Maximum inlet pressure 100 bar (1450 psig), except for Acetylene: max 25 bar (362 psig)
- Cleaned for oxygen service

#### TECHNICAL DATA:

Type	Single-stage
Purity	Up to 6.0
Inlet pressure	Max. 100 bar (1450 psig) For Acetylene: max. 25 bar (362 psig)
Outlet pressure	1,5/2/4/10/20/35/50 bar (21/29/58/145/290/507/725 psig) For Acetylene: max. 1,5 bar (21 psig)
Flow capacity	$K_v = 1,462$ ( $C_v = 1,7$ )
Gauge	49mm dual scale (bar/psig)
Oxygen use	Suitable

#### MATERIALS:

Body, bonnet	316L stainless steel barstock or chrome-plated brass barstock
Diaphragm	Hastelloy®*C276
Nozzle	316L stainless steel
Seat	PCTFE
Seals O-ring	Viton®** (FKM) Kalrez®*** (FFKM) for corrosive gases
Filter	SS 316L Micro Sintered
Adjusting Knob	ABS plastic

\* Hastelloy® is a registered trademark name of Haynes International, Inc

\*\* Viton® is a registered trademark of The Chemours Company

\*\*\* Kalrez® is a registered trademark of DuPont



Model shown with additional accessories to be ordered separately

#### RELATED OPTIONS:

Wall mounting Bracket: HPI-L-BPB

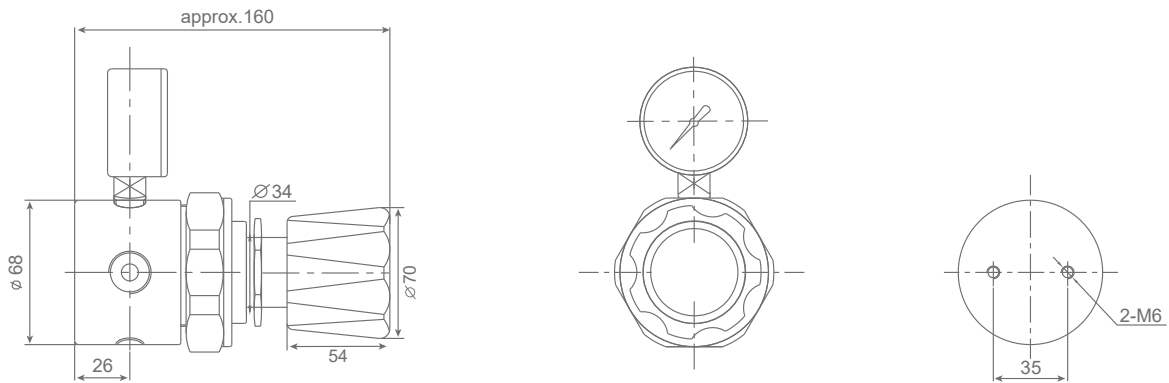
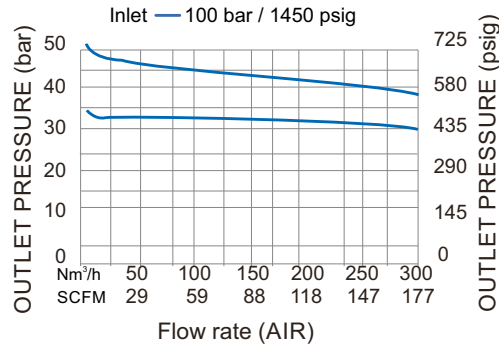
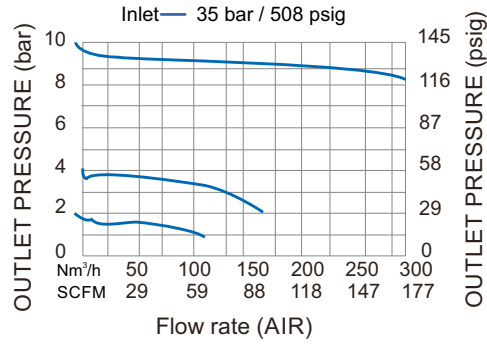


#### SPECIFICATIONS:

Inlet / outlet ports	1/2" FNPT
Other ports	1/4" FNPT
Weight	2,8 kg
Temperature range	-30°C to +74°C

## FLOW CHART:

### HPI 300L



## ORDERING INFORMATION:

MODEL	MATERIAL	INLET CONFIGURATION	OUTLET PRESSURE	INLET CONNECTION	OUTLET CONFIGURATION	OPTIONS	GAS TYPE
HPI 300LC	Chrome-plated brass	Right R	0 - 1,5 bar 0 - 21 psig	021 1/2" FNPT 000	1/2" FNPT A	He leak cert. (inboard)	2 Please specify
HPI 300LS	Stainless steel	Left L	0 - 2 bar 0 - 29 psig	029		No gauges	3
			0 - 4 bar 0 - 58 psig	058		He leak cert. (outboard)	5
			0 - 10 bar 0 - 145 psig	145		Corrosive Gases	7
			0 - 20 bar 0 - 290 psig	290		Wall mounting Bracket	P
			0 - 35 bar 0 - 507 psig	507			
			0 - 50 bar 0 - 725 psig	725			

Other options upon request, please contact us

For example:

HPI 300LC R 507 000 A 2 N<sub>2</sub>



## HPI 600L

### High purity and high pressure single-stage barstock line regulator

The Model HPI 600L is a single-stage high pressure line regulator that is designed to deliver high outlet pressures when used on high pressure cylinders up to 300 bar (4350 psig).

Regulator is available in chrome-plated brass (HPI 600LC) or stainless steel (HPI 600LS) barstock.

#### APPLICATIONS:

- High pressure gas applications
- High pressure testing
- Charging accumulators
- Pressurizing aircraft struts

#### FEATURES:

- Recommended gases purity levels up to grade 6.0 (99.9999)
- Stainless steel version applicable also for corrosive gases after prior confirmation of the material's compatibility
- 316L stainless steel diaphragm eliminates contamination from diffusion or outgassing
- HPI 600LC - chrome-plated body, bonnet and fittings
- HPI 600LS - 316L stainless steel body, bonnet and fittings
- $1 \times 10^{-9}$  mbar l/s He inboard helium leak rate to maintain gas purity levels
- 4 ports flexible configuration, one high pressure and three low pressure
- 1/8" NPT thread on the bonnet venting for safety in 316L SS version
- Maximum inlet pressure 300 bar (4350 psig)
- Cleaned for oxygen service

#### TECHNICAL DATA:

Type	Single-stage
Purity	Up to 6.0
Inlet pressure	Max. 300 bar (4350 psig)
Outlet pressure	50/100/200 bar (725/1450/2900 psig)
Flow capacity	Kv = 0,129 (Cv = 0,15)
Gauge	49mm dual scale (bar/psig)
Oxygen use	Suitable

#### MATERIALS:

Body, bonnet	316L stainless steel barstock or chrome-plated brass barstock
Diaphragm	Hastelloy <sup>®</sup> **C276
Nozzle	316L stainless steel
Seat	PCTFE
Seals O-ring	Viton <sup>®</sup> ** (FKM) Kalrez <sup>®</sup> *** (FFKM) for corrosive gases
Filter	SS 316L Micro Sintered
Adjusting Knob	ABS plastic

\* Hastelloy<sup>®</sup> is a registered trademark name of Haynes International, Inc

\*\* Viton<sup>®</sup> is a registered trademark of The Chemours Company

\*\*\* Kalrez<sup>®</sup> is a registered trademark of DuPont



Model shown with additional accessories to be ordered separately

#### RELATED OPTIONS:

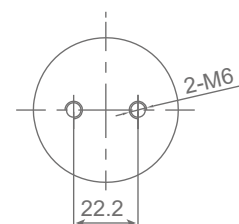
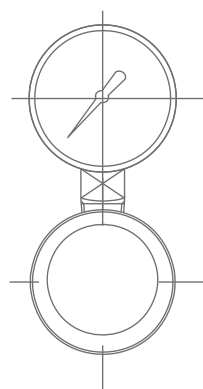
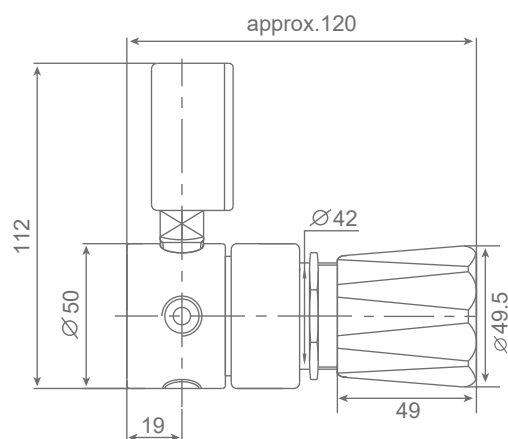
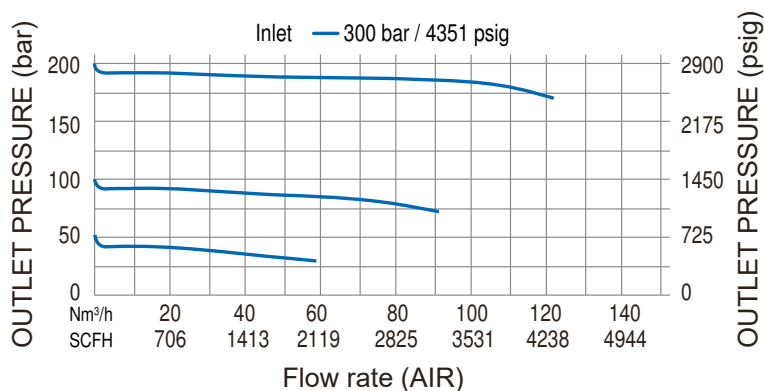
Wall mounting bracket: HPI-L-BPB



## SPECIFICATIONS:

Inlet / outlet ports	1/4" FNPT
Weight	1,13 kg

## FLOW CHART: HPI 600L



## ORDERING INFORMATION:

MODEL	MATERIAL	INLET CONFIGURATION		OUTLET PRESSURE		INLET CONNECTION		OUTLET CONFIGURATION	OPTIONS	GAS TYPE	
HPI 600LC	Chrome-plated brass	Right	R	0 - 50 bar 0 - 725 psig	725	1/4" FNPT	000	1/4" FNPT A	He leak cert. (inboard)	2	Please specify
HPI 600LS	Stainless steel	Left	L	0 - 100 bar 0 - 1450 psig	1450	1/4" tube fitting	002	1/4" tube fitting D	No gauges	3	
				0 - 200 bar 0 - 2900 psig	2900	6 mm tube fitting	003	6 mm tube fitting F	Corrosive Gases	7	
								Wall mounting Bracket	P		

Other options upon request, please contact us

For example:

HPI 600LC R 720 000 A 2 N<sub>2</sub>



## HPI 400L

### High purity and ultra-high flow single-stage barstock regulator

Model HPI 400L is a high flow in-line manifold regulator available in chrome-plated brass (HPI 400LC) or stainless steel (HPI 400LS) barstock for pipeline and other applications up to 40 bar (580 psig) inlet pressure.

#### APPLICATIONS:

- High flow gas applications
- Laser assist gases
- Pressure transfer
- Blanketing & high flow manifolds
- Bulk gas distribution systems
- Pharmacy industry
- Food industry
- Petrochemical industry

#### FEATURES:

- Recommended gases purity levels up to grade 6.0 (99.9999) and delivery pressures up to 20 bar (290 psig)
- Stainless steel version applicable also for corrosive gases after prior confirmation of the material's compatibility
- Low pressure and high flow regulator
- Nylon reinforced diaphragm
- HPI 400LC - chrome-plated body, bonnet and fittings
- HPI 400LS - 316L stainless steel body, bonnet and fittings
- $1 \times 10^{-4}$  mbar l/s He inboard helium leak rate to maintain gas purity levels
- 1/8" NPT thread on the bonnet venting for safety in 316L SS version
- Maximum inlet pressure 40 bar (290 psig), except for Acetylene: 25 bar (362 psig)
- Cleaned for oxygen service



Model shown with additional accessories to be ordered separately

#### TECHNICAL DATA:

Type	Single-stage
Purity	Up to 6.0
Inlet pressure	Max. 40 bar (580 psig) For Acetylene: 25 bar (362 psig)
Outlet pressure	1,5/2/4/10/20 bar (21/29/58/145/290 psig) For Acetylene: max. 1,5 bar (21 psig)
Flow capacity	$K_v = 4,386$ ( $C_v = 5,1$ )
Gauge	49mm dual scale (bar/psig)
Oxygen use	Suitable

#### MATERIALS:

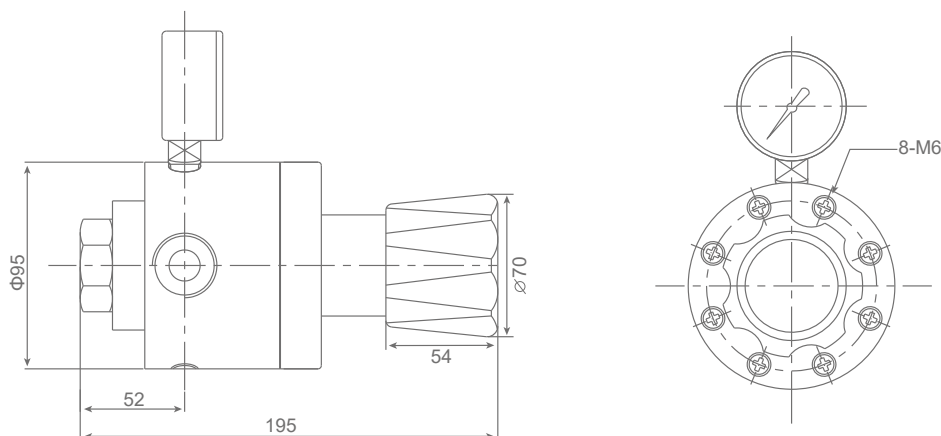
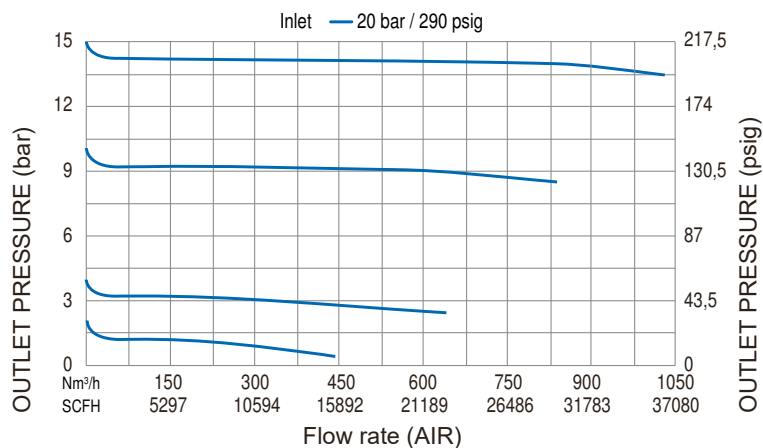
Body, bonnet	316L stainless steel barstock or chrome-plated brass barstock
Diaphragm	Nylon reinforced
Nozzle	316L stainless steel
Seat	Buna-N
Adjusting Knob	Aluminium



## SPECIFICATIONS:

Inlet / outlet ports	1" FNPT
Other ports	1/4" FNPT
Weight	4,1 kg

## FLOW CHART: HPI 400L



## ORDERING INFORMATION:

MODEL	MATERIAL	INLET CONFIGURATION	OUTLET PRESSURE	INLET CONNECTION	OUTLET CONFIGURATION	OPTIONS	GAS TYPE				
HPI 400LC	Chrome-plated brass	Right	R	0 - 1,5 bar 0 - 21 psig	021	1" FNPT	000	1" FNPT	A	He leak cert. 2 (inboard)	Please specify
HPI 400LS	Stainless steel	Left	L	0 - 2 bar 0 - 29 psig	029	1" FNPT	000	1" FNPT	A	No gauges 3	
0 - 4 bar 0 - 58 psig				058							
0 - 10 bar 0 - 145 psig				145							
0 - 20 bar 0 - 290 psig				290							

Other options upon request, please contact us

For example:

HPI 400LC R 145 000 A 2 N<sub>2</sub>



## HPI 500L

### High purity back pressure line regulator

Model HPI 500L is a line regulator available in chrome-plated brass (HPI 500LC) or stainless steel (HPI 500LS) barstock for protection pipeline against high pressure (function similar to relief valve).

#### APPLICATIONS:

- Line protection against high pressure
- Component testing
- Calibration systems
- Laboratory pressure control
- High pressure sampling systems
- Service & test equipment

#### FEATURES:

- Recommended gases purity levels up to grade 6.0 (99.9999)
- Stainless steel version applicable also for corrosive gases after prior confirmation of the material's compatibility
- Available for air, nitrogen or hydrogen gas service
- 316L stainless steel diaphragm eliminates contamination from diffusion or outgassing
- HPI 500LC - chrome-plated body, bonnet and fittings
- HPI 500LS - 316L stainless steel body, bonnet and fittings
- $1 \times 10^{-9}$  mbar l/s He inboard helium leak rate to maintain gas purity levels
- 3 ports flexible configuration
- Maximum inlet pressure 80 bar (1160 psig)
- Cleaned for oxygen service

#### TECHNICAL DATA:

Type	Single-stage
Purity	Up to 6.0
Inlet pressure	Max. 80 bar (1160 psig)
Outlet pressure	2,5 – 10 bar (36 – 145 psig) 10 – 50 bar (145 – 725 psig) 50 – 80 bar (725 – 1160 psig)
Flow capacity	Kv = 0,086 (Cv = 0,10)
Gauge	49mm dual scale (bar/psig)
Oxygen use	Suitable

#### MATERIALS:

Body, bonnet	316L stainless steel barstock or chrome-plated brass barstock
Diaphragm	Hastelloy®*C276
Nozzle	316L stainless steel
Seat	PCTFE
Seals O-ring	Viton®** (FKM) Kalrez®*** (FFKM) for corrosive gases
Filter	SS 316L Micro Sintered
Adjusting Knob	ABS plastic

\* Hastelloy® is a registered trademark name of Haynes International, Inc

\*\* Viton® is a registered trademark of The Chemours Company

\*\*\* Kalrez® is a registered trademark of DuPont



Model shown with additional accessories to be ordered separately

#### RELATED OPTIONS:

Wall mounting bracket: HPI-L-BPB





### Gas Delivery Systems

When gases are used in significant volumes, a centralized gas delivery system is a practical necessity. A well-conceived delivery system will reduce operating costs, increase productivity and enhance safety.

A centralized system will allow the consolidation of all cylinders into one storage location. With all the cylinders in one place, inventory control will be streamlined and cylinder handling will be simplified and improved. Gases can be separated by type to enhance safety.

With gas delivery systems the frequency of cylinder changeouts are reduced. This reduction is achieved by connecting multiple cylinders to supply panels in banks in such a way that one bank can be safely vented, replenished and purged while a second bank provides continuous gas service. This type of system can supply gas to multiple applications and even entire facilities, eliminating the need for separate cylinders and regulators for each point of use.

Since cylinder switchover can be accomplished automatically by the supply panel, cylinders in a bank will be uniformly exhausted, resulting in improved gas utilization and lower costs. The integrity of the delivery system will be better protected since cylinder changeouts will be done in an isolated, controlled environment.



### Purity

The level of gas purity required at each point of use is extremely important in designing a gas delivery system. Maintaining the gas purity is simplified with a centralized system as described above. Selection of materials for construction should be consistent throughout. For example, if a research grade gas is being utilized, all stainless steel construction and diaphragm packless shut-off valves should be used to eliminate contamination of the gas stream.

In general, three levels of purity are sufficient to describe nearly any application. The first level, usually described as a multi-purpose applications, has the least stringent purity requirement. Typical applications may include welding, cutting, laser assist, atomic absorption or ICP mass spectrometry. Gas supply panels for multipurpose applications are economically designed for safety and convenience. Acceptable materials for construction include brass, copper, Teflon®, Tefzel® and Viton®. Packed valves, such as needle valves and ball valves, are often used for flow shut-off. Gas distribution systems manufactured to this level should not be used with high purity or ultra-high purity gases.

The second level, called high-purity applications, requires a higher level of protection against contamination. Applications include laser resonator gases or chromatography where capillary columns are used and system integrity is important. Materials of construction are similar to multi-purpose manifolds, except flow shut-off valves are diaphragm packless to prevent diffusion of contaminants into the gas stream.

The third level is referred to as ultra-high purity applications. This level requires the highest level of purity for components in a gas delivery system. Trace measurement in gas chromatography is an example of an ultra-high purity application. Wetted materials for manifolds at this level must be selected to minimize trace components adsorption. These materials include 316L stainless steel, Teflon®, Tefzel® and Viton®\*. All tubing should be 316SS cleaned and passivated. Flow shut-off valves must be diaphragm packless. It is particularly important to recognize that components that are suitable for multi-purpose applications may adversely affect results in high or ultra-high purity applications. For example, out-gassing from neoprene diaphragms in regulators can cause excessive baseline drift and unresolved peaks.

\*Teflon®, Viton® and Tefzel® are registered trademarks of The Chemours Company

## Types of Gas Delivery Systems

### SINGLE STATION SYSTEMS

In some applications, a gas is used only to calibrate instrumentation. For example, a continuous emissions monitoring system (CEMS) may only require calibration gases to flow for a few minutes each day. Such an application clearly does not require a large-scale automatic changeover manifold. However, the delivery system should be designed to protect against contamination of the calibration gas and to minimize costs associated with cylinder change-outs.

A single station supply panel with bracket is an ideal solution for this type of application. It provides a safe and cost-effective means of connecting and changing out cylinders by eliminating the need to struggle with the regulator. When the gas includes corrosive components such as HCl or NO, a purge assembly should be incorporated into the manifold to allow the regulator to be purged with an inert gas (usually nitrogen) to protect it from corrosion. The single station panel can also be equipped with a second pigtail. This arrangement allows an additional cylinder to be connected and held in reserve. Switchover is accomplished manually using the cylinder shut-off valves. This configuration is usually desirable with calibration gases since the precise mix of components generally varies somewhat from cylinder to cylinder. A cylinder change may require resetting the instrument.



### SEMI-AUTOMATIC SWITCHOVER SYSTEMS

Many applications require continuous use and/or larger volumes of gases beyond what is practical for a single station manifold. Any pause in the gas supply results in lost or ruined experiments, a loss of productivity and even downtime for an entire facility. Semi-automatic switchover systems provide the capability to switch from a primary to a reserve cylinder or bank without interrupting the gas supply, thus minimizing costly downtime. Once the primary cylinder or bank is depleted, the system automatically switches to the reserve cylinder or bank for continuous gas flow. The user then changes the empty cylinders for new cylinders, while the gas is still flowing from the reserve side. A bi-directional valve is used to indicate the primary or reserve side during cylinder change-out.

### FULLY AUTOMATIC PROGRAMMABLE SWITCHOVER SYSTEMS

In some critical manufacturing and laboratory processes, an uninterrupted gas supply is an absolute necessity. Failure of the gas supply in these facilities can result in loss of an entire laboratory's in-process experiments or even shutdown of manufacturing production line or process. The potential cost of either of these events is so high that the installation of a gas delivery system, designed to provide an uninterrupted gas supply, is clearly justified. A fully automatic programmable switchover system is generally selected for these applications.



## HPI 100P High purity one-sided supply panel

The HPI 100P is a high purity gas supply panel. Manual adjustment of the regulator allow the user to set downstream pressure. The system includes purge function. Designed for applications where a slight rise in delivery pressure from full to empty cylinder can be tolerated or as first stage of pressure reduction.

### APPLICATIONS:

- Laboratory pressure control
- Research sample systems gases
- Component testing
- Petrochemical industry
- Emission monitoring systems
- Controlled atmosphere
- Service & test equipment

### FEATURES:

- Recommended gases purity levels up to grade 6.0 (99.9999)
- Stainless steel version applicable also for corrosive gases after prior confirmation of the material's compatibility
- Wall mounting panel and brackets included
- Ready to install wall mounting panel
- 316L stainless steel diaphragm eliminates contamination from diffusion or outgassing
- Purge function and diaphragm shut-off valves for the best results
- Possible to connect 2 gas cylinders or gas cylinder and a gas for purging operation
- HPI 100PC - chrome-plated body, bonnet and fittings
- HPI 100PS - 316L stainless steel body, bonnet and fittings
- $1 \times 10^{-9}$  mbar l/s He inboard helium leak rate to maintain gas purity levels
- Inlet / outlet - 1/4" FNPT
- Maximum inlet pressure 300 bar (4350 psig), except for Acetylene: max. 25 bar (362 psig)
- External relief valve standard
- Cleaned for oxygen service

### TECHNICAL DATA:

Panel type	One-sided
Regulator type	Single-stage
Purity	Up to 6.0
Inlet pressure	Max. 300 bar (4350 psig) For Acetylene: max. 25 bar (362 psig)
Outlet pressure	1,5/2/4/10/20 bar (21/29/58/145/290 psig) 50/100/200 bar (725/1450/2900 psig) For Acetylene: max. 1,5 bar (21 psig)
Purge function	Yes
Gauge	49mm dual scale (bar/psig)
Oxygen use	Suitable

### MATERIALS:

Body, bonnet	316L stainless steel barstock or chrome-plated brass barstock
Diaphragm (regulator)	Hastelloy®** C276
Diaphragm (valve)	Elgiloy®**
Nozzle	316L stainless steel
Seat	PCTFE
Seals O-ring	Viton®*** (FKM) Kalrez®**** (FFKM) for corrosive gases
Filter	SS 316L Micro Sintered
Adjusting Knob	ABS plastic

\* Hastelloy® is a registered trademark name of Haynes International, Inc

\*\* Elgiloy® a registered trademark of Elgiloy Specialty Metals

\*\*\* Viton® is a registered trademark of The Chemours Company

\*\*\*\* Kalrez® is a registered trademark of DuPont



Model shown with additional accessories to be ordered separately

### RELATED OPTIONS:

4302085	ALARM, 1 connection
4302086	ALARM, 2 connections
4302087	ALARM, 4 connections
4302088	ALARM, 6 connections
4302089	ALARM, 10 connections







## HPI 200P

### High purity manual switchover supply panel

The HPI 200P is a manual switchover high purity gas supply panel that prevents downtime by manually switching gas supply from the primary cylinder bank to the reserve cylinder bank. Manual adjustment of the individual regulator allow the user to set downstream pressure. The system includes purge function. Designed for applications where a slight rise in delivery pressure from full to empty cylinder can be tolerated or as first stage of pressure reduction.



Model shown with additional accessories to be ordered separately

#### APPLICATIONS:

- Laboratory pressure control
- Research sample systems gases
- Component testing
- Petrochemical industry
- Emission monitoring systems
- Controlled atmosphere
- Service & test equipment

#### FEATURES:

- Recommended gases purity levels up to grade 6.0 (99.9999)
- Stainless steel version applicable also for corrosive gases after prior confirmation of the material's compatibility
- Wall mounting panel and brackets included
- Ready to install wall mounting panel
- 316L stainless steel diaphragm eliminates contamination from diffusion or outgassing
- Purge function and diaphragm shut-off valves for the best results
- Possible to connect 2 gas cylinders or gas cylinder and a gas for purging operation
- HPI 200PC - chrome-plated body, bonnet and fittings
- HPI 200PS - 316L stainless steel body, bonnet and fittings
- $1 \times 10^{-9}$  mbar l/s He inboard helium leak rate to maintain gas purity levels
- Inlet / outlet - 1/4" FNPT
- Maximum inlet pressure 300 bar (4350 psig), except for Acetylene: 25 bar (362 psig)
- External relief valve standard
- Cleaned for oxygen service

#### TECHNICAL DATA:

Panel type	Manual switchover supply panel
Regulator type	Single-stage
Purity	Up to 6.0
Inlet pressure	Max. 300 bar (4350 psig) For Acetylene: max 25 bar (362 psig)
Outlet pressure	1,5/2/4/10/20 bar (21/29/58/145/290 psig) 50/100/200 bar (725/1450/2900 psig) For Acetylene: max. 1,5 bar (21 psig)
Purge function	Yes
Gauge	49mm dual scale (bar/psig)
Oxygen use	Suitable

#### MATERIALS:

Body, bonnet	316L stainless steel barstock or chrome-plated brass barstock
Diaphragm (regulator)	Hastelloy®*C276
Diaphragm (valve)	Elgiloy®**
Nozzle	316L stainless steel
Seat	PCTFE
Seals O-ring	Viton®*** (FKM) Kalrez®**** (FFKM) for corrosive gases
Filter	SS 316L Micro Sintered
Adjusting Knob	Aluminium

\* Hastelloy® is a registered trademark name of Haynes International, Inc

\*\*Elgiloy® a registered trademark of Elgiloy Specialty Metals

\*\*\* Viton® is a registered trademark of The Chemours Company

\*\*\*\* Kalrez® is a registered trademark of DuPont

#### RELATED OPTIONS:

4302085	ALARM, 1 connection
4302086	ALARM, 2 connections
4302087	ALARM, 4 connections
4302088	ALARM, 6 connections
4302089	ALARM, 10 connections



#### EXTENSIONS:



See page 70







## HPI 300P

### High purity semi-automatic switchover supply panel

The HPI 300P is a semi-automatic high purity switchover panel which prevents downtime by automatically switching gas supply from the primary cylinder bank to the reserve cylinder. The user resets the primary bank by turning the knob. Outlet pressure is factory pre-set.

#### APPLICATIONS:

- Laboratory pressure control
- Research sample systems gases
- Component testing
- Petrochemical industry
- Emission monitoring systems
- Controlled atmosphere
- Service & test equipment

#### FEATURES:

- Recommended gases purity levels up to grade 6.0 (99.9999)
- Stainless steel version applicable also for corrosive gases after prior confirmation of the material's compatibility
- Wall mounting panel and brackets included
- Ready to install wall mounting panel
- 316L stainless steel diaphragm eliminates contamination from diffusion or outgassing
- Purge function and diaphragm shut-off valves for the best results
- Possible to connect 2 gas cylinders or gas cylinder and a gas for purging operation
- HPI 300PC - chrome-plated body, bonnet and fittings
- HPI 300PS - 316L stainless steel body, bonnet and fittings
- $1 \times 10^{-9}$  mbar l/s He inboard helium leak rate to maintain gas purity levels
- Inlet / outlet - 1/4" FNPT
- Maximum inlet pressure 300 bar (4350 psig), except for Acetylene: max. 25 bar (362 psig)
- External relief valve standard
- Cleaned for oxygen service

#### TECHNICAL DATA:

Panel type	Semi-automatic switchover supply panel
Regulator type	Single-stage
Purity	Up to 6.0
Inlet pressure	Max. 300 bar (4350 psig) For Acetylene: max 25 bar (362 psig)
Outlet pressure	1,5/2/4/10/20 bar (21/29/58/145/290 psig) For Acetylene: max 1,5 bar (21 psig)
Purge function	Yes
Gauge	49mm dual scale (bar/psig)
Oxygen use	Suitable

#### MATERIALS:

Body, bonnet	316L stainless steel barstock or chrome-plated brass barstock
Diaphragm (regulator)	Hastelloy®*C276
Diaphragm (valve)	Elgiloy®**
Nozzle	316L stainless steel
Seat	PCTFE
Seals O-ring	Viton®*** (FKM) Kalrez®**** (FFKM) for corrosive gases
Filter	SS 316L Micro Sintered
Adjusting Knob	Aluminium

\* Hastelloy® is a registered trademark name of Haynes International, Inc

\*\*Elgiloy® a registered trademark of Elgiloy Specialty Metals

\*\*\* Viton® is a registered trademark of The Chemours Company

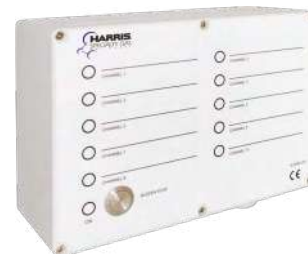
\*\*\*\* Kalrez® is a registered trademark of DuPont



Model shown with additional accessories to be ordered separately

#### RELATED OPTIONS:

4302085	ALARM, 1 connection
4302086	ALARM, 2 connections
4302087	ALARM, 4 connections
4302088	ALARM, 6 connections
4302089	ALARM, 10 connections



#### EXTENSIONS:



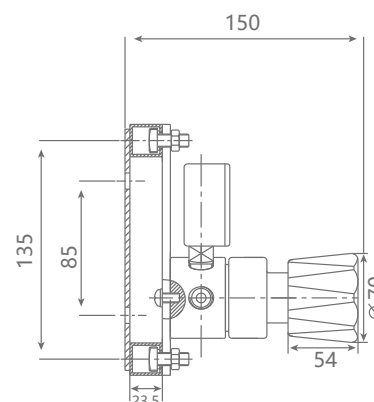
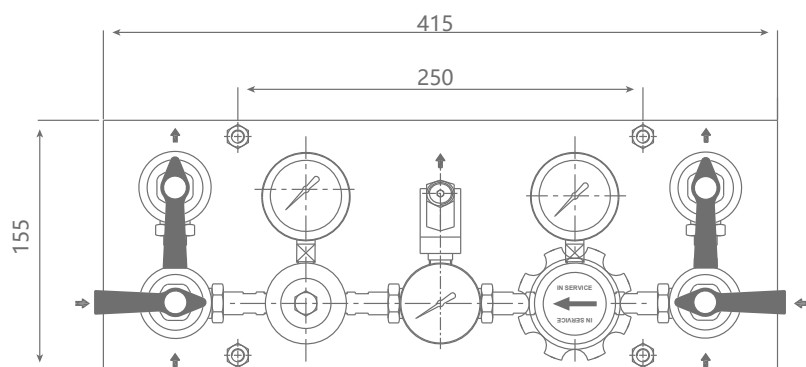
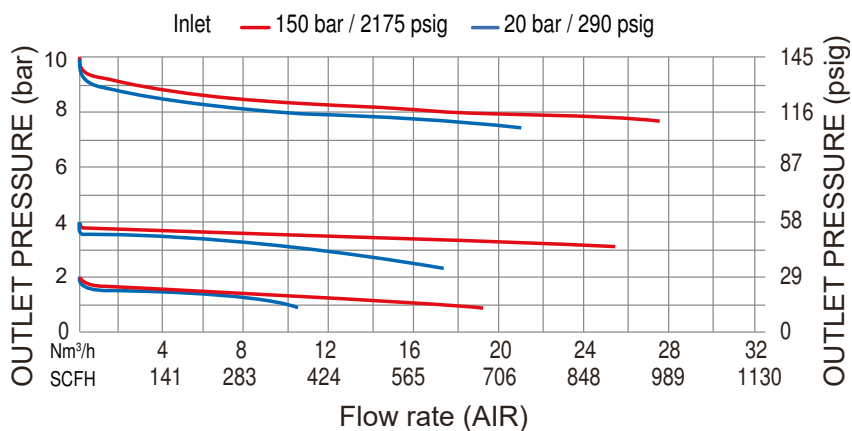
See page 70

## SPECIFICATIONS:

Inlet / outlet ports	1/4" FNPT
Weight	4,8 kg

## FLOW CHART:

### HPI 300P



## ORDERING INFORMATION:

MODEL	MATERIAL	OUTLET PRESSURE	INLET CONNECTION	OUTLET CONFIGURATION	OPTIONS	GAS TYPE
HPI 300PC	Chrome-plated brass	0 - 1,5 bar 0 - 21 psig	021*	1/4" FNPT 000	1/4" FNPT A	He Leak Cert. (inboard) 2
HPI 300PS	Stainless steel	0 - 2 bar 0 - 29 psig	029**	1/4" FNPT NRV check valves	No gauges	3
		0 - 4 bar 0 - 58 psig	058		With relief valves	4
		0 - 10 bar 0 - 145 psig	145		60 bar inlet gauge	6
		0 - 20 bar 0 - 290 psig	290		Corrosive gas	7
		0 - 50 bar 0 - 725 psig	725		High Pressure Contact Gauges	HPCG
		0 - 100 bar 0 - 1450 psig	1450		Low Pressure Contact Gauges	LPCG
		0 - 200 bar 0 - 2900 psig	2900			

For example:

HPI 300PC 290 N<sub>2</sub>

\* For Acetylene inlet pressure max 25 bar  
\*\* For inlet pressures below 200 bar only

## HPI 800P

### High purity semi-automatic switchover supply panel



The HPI 800P is a semi-automatic high purity switchover panel which prevents downtime by automatically switching gas supply from the primary cylinder bank to the reserve cylinder. The user resets the primary bank by turning the knob. Outlet pressure is factory pre-set.



Model shown with additional accessories to be ordered separately

#### APPLICATIONS:

- Laboratory pressure control
- Research sample systems gases
- Component testing
- Petrochemical industry
- Emission monitoring systems
- Controlled atmosphere
- Service & test equipment

#### FEATURES:

- Recommended for non-corrosive gases purity levels up to grade 6.0 (99.9999)
- Stainless steel version applicable also for corrosive gases after prior confirmation of the material's compatibility
- Wall mounting panel and brackets included
- Ready to install wall mounting panel
- 316L stainless steel diaphragm eliminates contamination from diffusion or outgassing
- Purge function and diaphragm shut-off valves for the best results
- Possible to connect 2 gas cylinders or gas cylinder and a gas for purging operation
- HPI 800PC - chrome-plated body, bonnet and fittings
- HPI 800PS - 316L stainless steel body, bonnet and fittings
- $1 \times 10^{-9}$  mbar l/s He inboard helium leak rate to maintain gas purity levels
- Inlet / outlet - 1/4" FNPT
- Maximum inlet pressure 300 bar (4350 psig), except for Acetylene: max. 25 bar (362 psig)
- Cleaned for oxygen service

#### TECHNICAL DATA:

Panel type	Semi-automatic switchover supply panel
Regulator type	Single-stage
Purity	Up to 6.0
Inlet pressure	Max. 300 bar (4350 psig) For Acetylene: 25 bar (362 psig)
Outlet pressure	1,5/2/4/10/20 bar (21/29/58/145/290 psig) For Acetylene: max. 1,5 bar (21 psig)
Purge function	Yes
Gauge	49mm dual scale (bar/psig)
Oxygen use	Suitable

#### MATERIALS:

Body, bonnet	316L stainless steel barstock or chrome-plated brass barstock
Diaphragm (regulator)	Hastelloy®*C276
Diaphragm (valve)	Elgiloy®***
Nozzle	316L stainless steel
Seat	PCTFE
Seals O-ring	Viton®**** (FKM) Kalrez®***** (FFKM) for corrosive gases
Filter	SS 316L Micro Sintered
Adjusting Knob	Aluminium

\* Hastelloy® is a registered trademark name of Haynes International, Inc

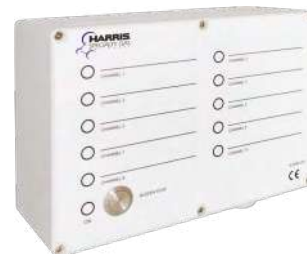
\*\*Elgiloy® a registered trademark of Elgiloy Specialty Metals

\*\*\* Viton® is a registered trademark of The Chemours Company

\*\*\*\* Kalrez® is a registered trademark of DuPont

#### RELATED OPTIONS:

4302085	ALARM, 1 connection
4302086	ALARM, 2 connections
4302087	ALARM, 4 connections
4302088	ALARM, 6 connections
4302089	ALARM, 10 connections



#### EXTENSIONS:



See page 70





## HPI 600P

### High purity and high flow semi-automatic switchover supply panel

The HPI 600P is a high flow semi-automatic high purity switchover prevents downtime by automatically switching gas supply from the primary cylinder bank to the reserve cylinder. The user resets the primary bank by turning the knob. Outlet pressure is factory pre-set.



Model shown with additional accessories to be ordered separately

#### APPLICATIONS:

- Laboratory pressure control
- Research sample systems gases
- Component testing
- Petrochemical industry
- Emission monitoring systems
- Controlled atmosphere
- Service & test equipment

#### FEATURES:

- Recommended gases purity levels up to grade 6.0 (99.9999)
- Stainless steel version applicable also for corrosive gases after prior confirmation of the material's compatibility
- Wall mounting panel and brackets included
- Ready to install wall mounting panel
- 316L stainless steel diaphragm eliminates contamination from diffusion or outgassing
- Purge function and diaphragm shut-off valves for the best results
- Possible to connect 2 gas cylinders or gas cylinder and a gas for purging operation
- HPI 600PC - chrome-plated body, bonnet and fittings
- HPI 600PS - 316L stainless steel body, bonnet and fittings
- $1 \times 10^{-9}$  mbar l/s He inboard helium leak rate to maintain gas purity levels
- Inlet / outlet - 1/4" FNPT
- Maximum inlet pressure 300 bar (4350 psig), except for Acetylene: max. 25 bar (362 psig)
- Cleaned for oxygen service

#### TECHNICAL DATA:

Panel type	Semi-automatic switchover supply panel
Regulator type	Single-stage
Purity	Up to 6.0
Inlet pressure	Max. 300 bar (4350 psig) For Acetylene: 25 bar (362 psig)
Outlet pressure	1,5/2/4/10/20 bar (21/29/58/145/290 psig) For Acetylene: max. 1,5 bar (21 psig)
Purge function	Yes
Gauge	49mm dual scale (bar/psig)
Oxygen use	Suitable

#### MATERIALS:

Body, bonnet	316L stainless steel barstock or chrome-plated brass barstock
Diaphragm (regulator)	Hastelloy®*C276
Diaphragm (valve)	Elgiloy®**
Nozzle	316L stainless steel
Seat	PCTFE
Seals O-ring	Viton®*** (FKM) Kalrez®**** (FFKM) for corrosive gases
Filter	SS 316L Micro Sintered
Adjusting Knob	Aluminium

\* Hastelloy® is a registered trademark name of Haynes International, Inc

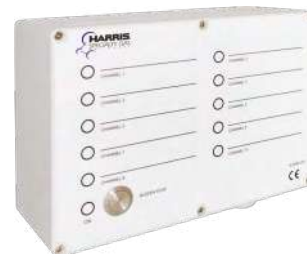
\*\*Elgiloy® a registered trademark of Elgiloy Specialty Metals

\*\*\* Viton® is a registered trademark of The Chemours Company

\*\*\*\* Kalrez® is a registered trademark of DuPont

#### RELATED OPTIONS:

4302085	ALARM, 1 connection
4302086	ALARM, 2 connections
4302087	ALARM, 4 connections
4302088	ALARM, 6 connections
4302089	ALARM, 10 connections



#### EXTENSIONS:



See page 70





## HPI 130P

### High purity one-sided supply panel with two-stage regulator

The HPI 130P is a high purity two-stage gas supply panel available in chrome-plated brass (HPI 130PC) or stainless steel (HPI 130PS) barstock. Manual adjustment of the regulator allow the user to set downstream pressure. The system includes purge function. Designed for constant delivery pressure from full to near empty cylinder conditions.

#### APPLICATIONS:

- High purity gas applications
- Research sample systems gases
- Gas chromatography
- Calibration gas
- Process analyzer gases
- Emission monitoring systems
- Laser applications



Model shown with additional accessories to be ordered separately

#### FEATURES:

- Recommended gases purity levels up to grade 6.0 (99.9999)
- Stainless steel version applicable also for corrosive gases after prior confirmation of the material's compatibility
- Wall mounting panel and brackets included
- Ready to install wall mounting panel
- 316L stainless steel diaphragm eliminates contamination from diffusion or outgassing
- Purge function and diaphragm shut-off valves for the best results
- Possible to connect 2 gas cylinders or gas cylinder and a gas for purging
- HPI 130PC - chrome-plated body, bonnet and fittings
- HPI 130PS - 316L stainless steel body, bonnet and fittings
- $1 \times 10^{-9}$  mbar l/s He inboard helium leak rate to maintain gas purity levels
- Inlet / outlet - 1/4" FNPT
- Maximum inlet pressure 300 bar (4350 psig), except for Acetylene: max. 25 bar (362 psig)
- Cleaned for oxygen service

#### TECHNICAL DATA:

Panel type	One-sided
Regulator type	Two-stage
Purity	Up to 6.0
Inlet pressure	Max. 300 bar (4350 psig) For Acetylene: 25 bar (362 psig)
Outlet pressure	1,5/2/4/10/20 bar (21/29/58/145/290 psig) For Acetylene: max. 1,5 bar (21 psig)
Purge function	Yes
Gauge	49mm dual scale (bar/psig)
Oxygen use	Suitable

#### MATERIALS:

Body, bonnet	316L stainless steel barstock or chrome-plated brass barstock
Diaphragm (regulator)	Hastelloy®*C276
Diaphragm (valve)	Elgiloy®**
Nozzle	316L stainless steel
Seat	PCTFE
Seals O-ring	Viton®*** (FKM) Kalrez®**** (FFKM) for corrosive gases
Filter	SS 316L Micro Sintered
Adjusting Knob	ABS plastic

\* Hastelloy® is a registered trademark name of Haynes International, Inc

\*\*Elgiloy® a registered trademark of Elgiloy Specialty Metals

\*\*\* Viton® is a registered trademark of The Chemours Company

\*\*\*\* Kalrez® is a registered trademark of DuPont

#### RELATED OPTIONS:

4302085	ALARM, 1 connection
4302086	ALARM, 2 connections
4302087	ALARM, 4 connections
4302088	ALARM, 6 connections
4302089	ALARM, 10 connections









## HPI 120P

### High purity two-stage manual switchover supply panel

The HPI 120P is a high purity two-stage manual switchover gas supply panel which prevents downtime by manually switching gas supply from the primary cylinder bank to the reserve cylinder bank. Gas supply panel is available in chrome-plated brass (HPI 120PC) or stainless steel (HPI 120PS) barstock. The system includes purge function. Designed for constant delivery pressure from full to near empty cylinder. Outlet pressure is factory pre-set.

#### APPLICATIONS:

- High purity gas applications
- Research sample systems gases
- Gas chromatography
- Calibration gas
- Process analyzer gases
- Emission monitoring systems
- Laser applications

#### FEATURES:

- Recommended gases purity levels up to grade 6.0 (99.9999)
- Stainless steel version applicable also for corrosive gases after prior confirmation of the material's compatibility
- Wall mounting panel and brackets included
- Ready to install wall mounting panel
- 316L stainless steel diaphragm eliminates contamination from diffusion or outgassing
- Purge function and diaphragm shut-off valves for the best results
- Possible to connect 2 gas cylinders or gas cylinder and a gas for purging operation
- HPI 120PC - chrome-plated body, bonnet and fittings
- HPI 120PS - 316L stainless steel body, bonnet and fittings
- 1x10<sup>-9</sup> mbar l/s He inboard helium leak rate to maintain gas purity levels
- Inlet / outlet - 1/4" FNPT
- Maximum inlet pressure 300 bar (4350 psig), except for Acetylene: max. 25 bar (362 psig)
- Cleaned for oxygen service

#### TECHNICAL DATA:

Panel type	Manual switchover supply panel
Regulator type	Two-stage
Purity	Up to 6.0
Inlet pressure	Max. 300 bar (4350 psig) For Acetylene: 25 bar (362 psig)
Outlet pressure	1,5/2/4/10/20 bar (21/29/58/145/290 psig) For Acetylene: 1,5 bar (21 psig)
Purge function	Yes
Gauge	49mm dual scale (bar/psig)
Oxygen use	Suitable

#### MATERIALS:

Body, bonnet	316L stainless steel barstock or chrome-plated brass barstock
Diaphragm (regulator)	Hastelloy®*C276
Diaphragm (valve)	Elgiloy®**
Nozzle	316L stainless steel
Seat	PCTFE
Seals O-ring	Viton®*** (FKM) Kalrez®**** (FFKM) for corrosive gases
Filter	SS 316L Micro Sintered
Adjusting Knob	Aluminium

\* Hastelloy® is a registered trademark name of Haynes International, Inc

\*\*Elgiloy® a registered trademark of Elgiloy Specialty Metals

\*\*\* Viton® is a registered trademark of The Chemours Company

\*\*\*\* Kalrez® is a registered trademark of DuPont



Model shown with additional accessories to be ordered separately

#### RELATED OPTIONS:

4302085	ALARM, 1 connection
4302086	ALARM, 2 connections
4302087	ALARM, 4 connections
4302088	ALARM, 6 connections
4302089	ALARM, 10 connections



#### EXTENSIONS:



See page 70



## SG 905 SS

### High purity single regulator mounting station

The SG 905 SS semi-automatic high purity switchover prevents downtime by automatically switching gas supply from the primary cylinder bank to the reserve cylinder bank. The user resets the primary bank by turning the knob. Manual adjustment of the individual regulators is not required.

All systems include a line control regulator.

#### APPLICATIONS:

- Semi-automatic switchover

#### FEATURES:

- Wall mounting panel and brackets included
- Maximum inlet pressure 210 bar 3000 psig
- Delivery pressure: 0-125 psig; except acetylene 0-15 psig
- Inlet / outlet - 1/4" NPT
- Headers include diaphragm-type shut-off valves
- All systems include stainless steel pigtailed with check valves and stainless steel inner core
- Acetylene includes dry-type flash arrestors on pigtail end
- All pigtailed have protective armour casing for added safety



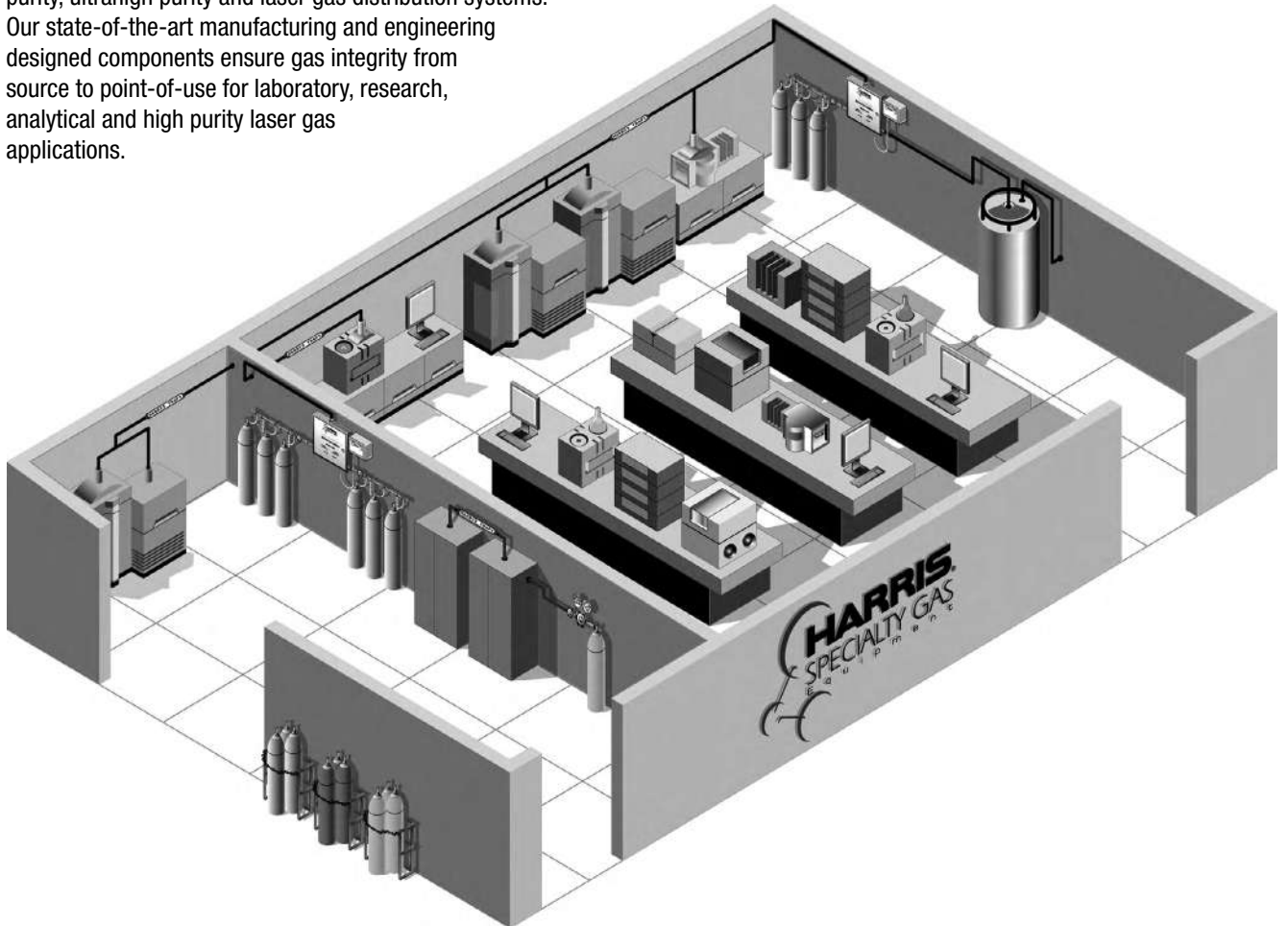
Model shown with additional accessories to be ordered separately

#### SPECIFICATIONS:

MODEL	MAXIMUM INLET PRESSURE	MAXIMUM FLOW RATE	DELIVERY RANGE	
905 (Oxy/Inert)	210 bar 3000 psig	8,5 Nm <sup>3</sup> /h 300 SCFH	0 - 8,5 bar 0 - 125 psig	125
905 (LPG)	27,5 bar 400 psig	5,66 Nm <sup>3</sup> /h 200 SCFH	0 - 3,5 bar 0 - 50 psig	050
905 (Acetylene)	27,5 bar 400 psig	2,8 Nm <sup>3</sup> /h 100 SCFH	0 - 1 bar 0 - 15 psig	015

## SPECIALTY GAS / LASER GAS

The Harris Products Group is a quality manufacturer of high purity, ultrahigh purity and laser gas distribution systems. Our state-of-the-art manufacturing and engineering designed components ensure gas integrity from source to point-of-use for laboratory, research, analytical and high purity laser gas applications.



GAS PRESSURE CONTROL PANELS



FOR GAS CHROMATOGRAPHY

POINT OF USE SYSTEMS



BACK-UP SYSTEM



FOR GAS GENERATORS

GAS SUPPLY PANELS



FOR LASER APPLICATIONS



## HPI 100PB

### High purity generator back-up panel

Model HPI 100PB provides a continuous backup supply of gas in case of generator failure or loss of power. The system automatically switches to a backup cylinder of gas when the generator supply pressure drops below a preset value. The process will automatically reverse when the gas supplied by the generator returns to a normal level.

#### APPLICATIONS:

- Back-up for gas generator
- Laboratory pressure control
- Research sample systems gases

#### FEATURES:

- Ready to install wall mounting panel
- Wall mounting panel and brackets included
- Includes 1000 mm flexible pigtail
- 1/4 turn isolation shut off valves included
- 1/4" FNPT outlet connection
- 1/4" FNPT inlet connection with reverse flow check valve
- Inlet / outlet tube fittings on request
- Maximum inlet pressure 300 bar (4350 psig), except for Acetylene: max. 25 bar (362 psig)
- Recommended for air, nitrogen or hydrogen gas service



Option B

Model shown with additional accessories to be ordered separately

#### TECHNICAL DATA:

Regulator type	Single-stage
Purity	Up to 6.0
Inlet pressure	Max. 300 bar (4350 psig) For Acetylene: max 25 bar (362 psig)
Outlet pressure	10 bar (145 psig) For Acetylene: 1,5 bar (21 psig)
Flow capacity	$K_v = 0,0688$ ( $C_v = 0,08$ )
Purge function	Yes
Gauge	49mm dual scale (bar/psig)
Oxygen use	Suitable

#### MATERIALS:

Body, bonnet	Chrome-plated brass barstock
Diaphragm (regulator)	Hastelloy <sup>®</sup> **C276
Diaphragm (valve)	Elgiloy <sup>®</sup> **
Nozzle	316L stainless steel
Seat	PCTFE
Seals O-ring	Viton <sup>®</sup> *** (FKM) Kalrez <sup>®</sup> **** (FFKM) for corrosive gases
Filter	SS 316L Micro Sintered
Adjusting Knob	ABS plastic

\* Hastelloy<sup>®</sup> is a registered trademark name of Haynes International, Inc

\*\*Elgiloy<sup>®</sup> a registered trademark of Elgiloy Specialty Metals

\*\*\* Viton<sup>®</sup> is a registered trademark of The Chemours Company

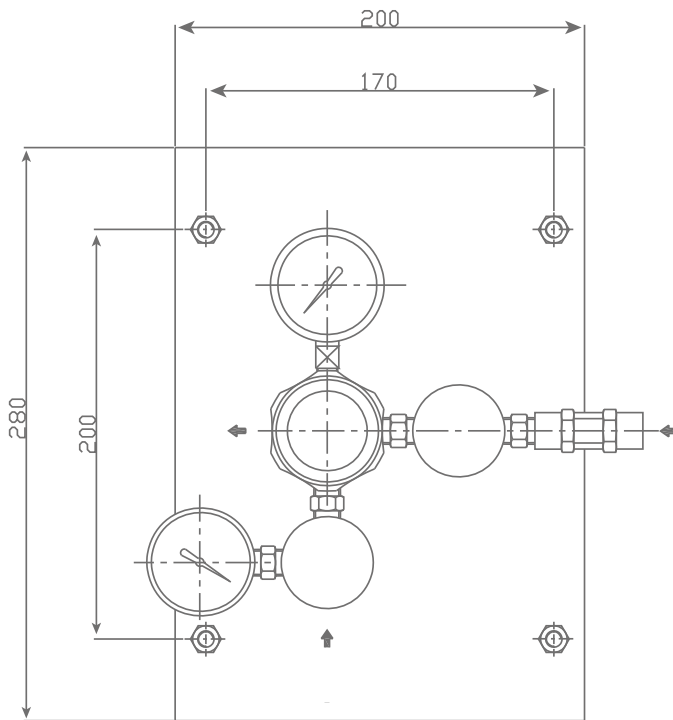
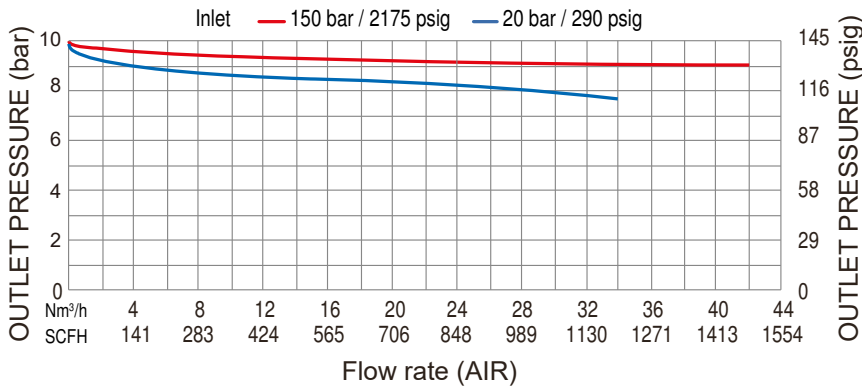
\*\*\*\* Kalrez<sup>®</sup> is a registered trademark of DuPont

## SPECIFICATIONS:

Inlet / outlet ports	1/4" FNPT
Weight	2,5 kg

## FLOW CHART:

### HPI 100PB



## ORDERING INFORMATION:

MODEL	MATERIAL	OUTLET PRESSURE	GAS TYPE
HPI 100PB	Chrome-plated brass	0 - 10 bar 0 - 145 psig	145 Please specify

For example:

HPI 100PB	145	Air
-----------	-----	-----



## HPI 100TP

### High purity wall mounted point of use

Model HPI 100TP is a wall mounted point of use regulator available in chrome-plated brass (HPI 100TPC) or stainless steel (HPI 100TPS) barstock.

#### APPLICATIONS:

- High purity gas applications
- Research sample systems gases
- Gas chromatography
- Calibration gas
- Process analyzer gases

#### FEATURES:

- Recommended gases purity levels up to grade 6.0 (99.9999)
- Stainless steel version applicable also for corrosive gases after prior confirmation of the material's compatibility
- Wall mounting panel and brackets included
- Ready to install wall mounting panel
- Based on HPI 100L regulator
- 3 inlet port available configuration – top as a standard
- 316L stainless steel diaphragm eliminates contamination from diffusion or outgassing
- Diaphragm inlet shut-off valves
- Modular design
- HPI 100TPC - chrome-plated body, bonnet and fittings
- HPI 100TPS - 316L stainless steel body, bonnet and fittings
- $1 \times 10^{-9}$  mbar l/s He inboard helium leak rate to maintain gas purity levels
- Inlet / outlet - 1/4" FNPT
- Maximum inlet pressure 40 bar (580 psig) except for Acetylene: max. 25 bar (362 psig)
- Cleaned for oxygen service

#### TECHNICAL DATA:

Regulator type	Single-stage
Purity	Up to 6.0
Inlet pressure	Max. 40 bar (580 psig) For Acetylene: 25 bar (362 psig)
Outlet pressure	1,5/2/4/10 bar (21/29/58/145 psig) 20 bar (290 psig) on request For Acetylene: max. 1,5 bar (21 psig)
Flow capacity	Kv = 0,0602 (Cv = 0,07)
Oxygen use	Suitable

#### MATERIALS:

Body, bonnet	316L stainless steel barstock or chrome-plated brass barstock
Diaphragm (regulator)	Hastelloy®*C276
Diaphragm (valve)	Hastelloy®*C276
Nozzle	316L stainless steel
Seat	PCTFE
Seals O-ring	Viton®** (FKM) Kalrez®*** (FFKM) for corrosive gases
Filter	SS 316L Micro Sintered
Adjusting Knob	ABS plastic

\* Hastelloy® is a registered trademark name of Haynes International, Inc

\*\* Viton® is a registered trademark of The Chemours Company

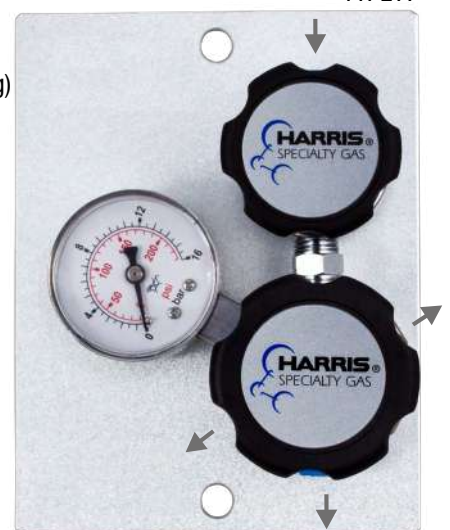
\*\*\* Kalrez® is a registered trademark of DuPont

TYPE B



Model shown with additional accessories to be ordered separately

TYPE A



Model shown with additional accessories to be ordered separately







## HPI 101TP

### High purity wall mounted point of use slim version

Model HPI 101TP is a wall mounted point of use regulator available in chrome-plated brass (HPI 101TPC) or stainless steel (HPI 101TPS) barstock.

#### APPLICATIONS:

- High purity gas applications
- Research sample systems gases
- Gas chromatography
- Calibration gas
- Process analyzer gases

#### FEATURES:

- Recommended gases purity levels up to grade 6.0 (99.9999)
- Wall mounting panel and brackets included
- Ready to install wall mounting panel, modular design
- Ergonomic, slim design
- 1 inlet port available configuration – top as a standard
- 3 outlet port possible configuration – on request
- 316L stainless steel diaphragm eliminates contamination from diffusion or outgassing
- Diaphragm inlet and outlet shut-off valves
- HPI 101TPC - chrome-plated body, bonnet and fittings
- HPI 101TPS - 316L stainless steel body, bonnet and fittings
- $1 \times 10^{-9}$  mbar l/s He inboard helium leak rate to maintain gas purity levels
- Inlet / outlet - 1/4" FNPT
- Maximum inlet pressure 40 bar (580 psig), except for Acetylene: 25 bar (362 psig)
- Cleaned for oxygen service

#### TECHNICAL DATA:

Regulator type	Single-stage
Purity	Up to 6.0
Inlet pressure	Max. 40 bar (580 psig) For Acetylene: 25 bar (362 psig)
Outlet pressure	1,5/2/4/10 bar (21/29/58/145 psig) 20 bar (290 psig) upon request For Acetylene: max. 1,5 bar (21 psig)
Flow capacity	$K_v = 0,0602$ ( $C_v = 0,07$ )
Oxygen use	Suitable

#### MATERIALS:

Body, bonnet	316L stainless steel barstock or chrome-plated brass barstock
Diaphragm (regulator)	Hastelloy®*C276
Diaphragm (valve)	Hastelloy®*C276
Nozzle	316L stainless steel
Seat	PCTFE
Seals O-ring	Viton®** (FKM) Kalrez®*** (FFKM) for corrosive gases
Filter	SS 316L Micro Sintered
Adjusting Knob	ABS plastic

\* Hastelloy® is a registered trademark name of Haynes International, Inc

\*\* Viton® is a registered trademark of The Chemours Company

\*\*\* Kalrez® is a registered trademark of DuPont

TYPE A  
Single outlet



TYPE B  
Dual outlet



TYPE C  
Triple outlet



Models shown with additional accessories to be ordered separately



**HPI 300TP****High purity bench mounted point of use**

Model HPI 300TP is a bench mounted point of use regulator available in chrome-plated brass (HPI 300TPC) or stainless steel (HPI 300TPS) barstock.

**APPLICATIONS:**

- High purity gas applications
- Research sample systems gases
- Gas chromatography
- Calibration gas
- Process analyzer gases

**FEATURES:**

- Recommended gases purity levels up to grade 6.0 (99.9999)
- Stainless steel version applicable also for corrosive gases after prior confirmation of the material's compatibility
- Ready to install bench mounting panel, modular design
- 1 inlet port configuration - bottom
- 1 outlet port configuration - bottom
- 316L stainless steel diaphragm eliminates contamination from diffusion or outgassing
- Diaphragm inlet shut-off valves
- HPI 300TPC - chrome-plated body, bonnet and fittings
- HPI 300TPS - 316L stainless steel body, bonnet and fittings
- $1 \times 10^{-9}$  mbar l/s He inboard helium leak rate to maintain gas purity levels
- Inlet / outlet - 1/4" FNPT
- Maximum inlet pressure 60 bar (870 psig), except for Acetylene: max. 25 bar (362 psig)
- Cleaned for oxygen service

**TECHNICAL DATA:**

Regulator type	Single-stage
Purity	Up to 6.0
Inlet pressure	Max. 60 bar (870 psig) For Acetylene: max. 25 bar (362 psig)
Outlet pressure	1,5/2/4/10 bar (21/29/58/145 psig) 20 bar (290 psig) upon request For Acetylene: max. 25 bar (362 psig)
Flow capacity	Kv = 1,032 (Cv = 0,12)
Gauge	49mm dual scale (bar/psig)
Oxygen use	Suitable

**MATERIALS:**

Body, bonnet	316L stainless steel barstock or chrome-plated brass barstock
Diaphragm (regulator)	Hastelloy <sup>®</sup> *C276
Diaphragm (valve)	Hastelloy <sup>®</sup> *C276
Nozzle	316L stainless steel
Seat	PCTFE
Seals O-ring	Viton <sup>®</sup> ** (FKM) Kalrez <sup>®</sup> *** (FFKM) for corrosive gases
Filter	SS 316L Micro Sintered
Adjusting Knob	ABS plastic

\* Hastelloy<sup>®</sup> is a registered trademark name of Haynes International, Inc

\*\* Viton<sup>®</sup> is a registered trademark of The Chemours Company

\*\*\* Kalrez<sup>®</sup> is a registered trademark of DuPont



Model shown with additional accessories to be ordered separately



**HPI 301TP****High purity wall mounted point of use**

Model HPI 301TP is a wall mounted point of use regulator available in chrome-plated brass (HPI 301TPC) or stainless steel (HPI 301TPS) barstock.

**APPLICATIONS:**

- High purity gas applications
- Research sample systems gases
- Gas chromatography
- Calibration gas
- Process analyzer gases

**FEATURES:**

- Recommended gases purity levels up to grade 6.0 (99.9999)
- Stainless steel version applicable also for corrosive gases after prior confirmation of the material's compatibility
- Ready to install wall mounting panel, modular design
- 1 inlet port configuration - top
- 1 outlet port configuration - bottom
- 316L stainless steel diaphragm eliminates contamination from diffusion or outgassing
- Diaphragm inlet shut-off valves
- HPI 301TPC - chrome-plated body, bonnet and fittings
- HPI 301TPS - 316L stainless steel body, bonnet and fittings
- $1 \times 10^{-9}$  mbar l/s He inboard helium leak rate to maintain gas purity levels
- Inlet / outlet - 1/4" FNPT
- Maximum inlet pressure 60 bar (870 psig), except for Acetylene: max. 25 bar (362 psig)
- Cleaned for oxygen service

**TECHNICAL DATA:**

Regulator type	Single-stage
Purity	Up to 6.0
Inlet pressure	Max. 60 bar (870 psig) For Acetylene: 25 bar (362 psig)
Outlet pressure	1,5/2/4/10 bar (21/29/58/145 psig) 20 bar (290 psig) upon request For Acetylene: max. 1,5 bar (21 psig)
Flow capacity	Kv = 1,032 (Cv = 0,12)
Gauge	49mm dual scale (bar/Psig)
Oxygen use	Suitable

**MATERIALS:**

Body, bonnet	316L stainless steel barstock or chrome-plated brass barstock
Diaphragm (regulator)	Hastelloy®*C276
Diaphragm (valve)	Hastelloy®*C276
Nozzle	316L stainless steel
Seat	PCTFE
Seals O-ring	Viton®** (FKM) Kalrez®*** (FFKM) for corrosive gases
Filter	SS 316L Micro Sintered
Adjusting Knob	ABS plastic

\* Hastelloy® is a registered trademark name of Haynes International, Inc

\*\* Viton® is a registered trademark of The Chemours Company

\*\*\* Kalrez® is a registered trademark of DuPont



Model shown with additional accessories to be ordered separately

**RELATED OPTIONS:**

Wall mounting Bracket: HPI-L-BPB





## HPI 400TP

### High purity plate mounted point of use



Model HPI 400TP is a plate mounted point of use regulator available in chrome-plated brass (HPI 400TPC) or stainless steel (HPI 400TPS) barstock.

#### APPLICATIONS:

- High purity gas applications
- Research sample systems gases
- Gas chromatography
- Calibration gas
- Process analyzer gases

#### FEATURES:

- Recommended gases purity levels up to Grade 6.0 (99.9999)
- Stainless steel version applicable also for corrosive gases after prior confirmation of the material's compatibility
- Ready to install plate mounting panel, modular design
- 1 inlet port configuration - back inlet
- 1 outlet port configuration - bottom
- 316L stainless steel diaphragm eliminates contamination from diffusion or outgassing
- Diaphragm inlet shut-off valves
- HPI 400TPC - chrome-plated body, bonnet and fittings
- HPI 400TPS - 316L stainless steel body, bonnet and fittings
- $1 \times 10^{-9}$  mbar l/s He inboard helium leak rate to maintain gas purity levels
- Inlet / outlet - 1/4" FNPT
- Maximum inlet pressure 60 bar (870 psig), except for Acetylene: max. 25 bar (362 psig)
- Cleaned for oxygen service

#### TECHNICAL DATA:

Regulator type	Single-stage
Purity	Up to 6.0
Inlet pressure	Max. 60 bar (870 psig) For Acetylene: max 25 bar (362 psig)
Outlet pressure	1,5/2/4/10 bar (21/29/58/145 psig) 20 bar (290 psig) For Acetylene: max. 1,5 bar (21 psig)
Flow capacity	Kv = 1,032 (Cv = 0,12)
Gauge	49mm dual scale (bar/psig)
Oxygen use	Suitable

#### MATERIALS:

Body, bonnet	316L stainless steel barstock or chrome-plated brass barstock
Diaphragm (regulator)	Hastelloy®*C276
Diaphragm (valve)	Hastelloy®*C276
Nozzle	316L stainless steel
Seat	PCTFE
Seals O-ring	Viton®** (FKM) Kalrez®*** (FFKM) for corrosive gases
Filter	SS 316L Micro Sintered
Adjusting Knob	ABS plastic

\* Hastelloy® is a registered trademark name of Haynes International, Inc

\*\* Viton® is a registered trademark of The Chemours Company

\*\*\* Kalrez® is a registered trademark of DuPont



Model shown with additional accessories to be ordered separately





**HPI 500TP****High purity compact point of use**

Model HPI 500TP is a compact aluminium point of use regulator for pressure control.

**APPLICATIONS:**

- High purity gas applications
- Research sample systems gases
- Gas chromatography
- Calibration gas
- Process analyzer gases

**FEATURES:**

- Recommended gases purity levels up to grade 6.0 (99.9999)
- Ready to install wall mounting panel, modular design
- Two inlet and two outlet port configuration
- 316L stainless steel diaphragm eliminates contamination from diffusion or outgassing
- Diaphragm inlet shut-off valves
- $1 \times 10^{-9}$  mbar l/s He inboard helium leak rate to maintain gas purity levels
- Inlet / outlet - 1/4" FNPT
- Maximum inlet pressure 60 bar (870 psig)

**TECHNICAL DATA:**

Regulator type	Single-stage
Purity	Up to 6.0
Inlet pressure	Max. 60 bar (870 psig)
Outlet pressure	1,5/2/4/10 bar (21/29/58/145 psig) 20 bar (290 psig)
Flow capacity	Kv = 1,032 (Cv = 0,12)
Gauge	49mm dual scale (bar/psig)
Oxygen use	Unsuitable

**MATERIALS:**

Body, bonnet	Aluminium barstock
Diaphragm (regulator)	Hastelloy®*C276
Diaphragm (valve)	Hastelloy®*C276
Nozzle	316L stainless steel
Seat	PCTFE
Seals O-ring	Viton®** (FKM) Kalrez®*** (FFKM) for corrosive gases
Filter	SS 316L Micro Sintered
Adjusting Knob	ABS plastic



Model shown with additional accessories to be ordered separately

\* Hastelloy® is a registered trademark name of Haynes International, Inc

\*\* Viton® is a registered trademark of The Chemours Company

\*\*\* Kalrez® is a registered trademark of DuPont



## Extensions

### HPI E

### High purity extensions

#### FEATURES:

- Max. inlet pressure 300 bar
- Pipe material stainless steel 316L (1.4404)
- Modular design
- Diaphragm inlet shut off valve option
- Easy to install
- Made of 316L stainless steel for corrosive gases
- Made of chrome-plated brass for non-corrosive gases and mixture up to 6.0

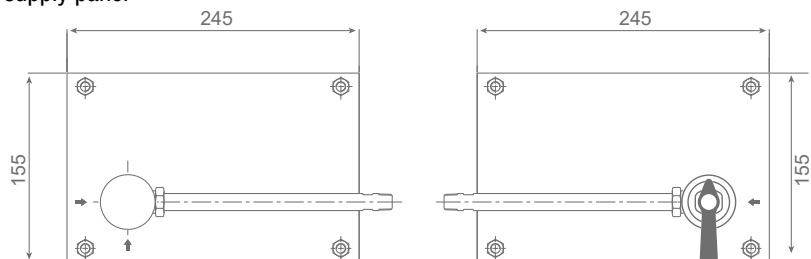


#### APPLICATIONS:

- To increase the number of connected cylinders to supply panel

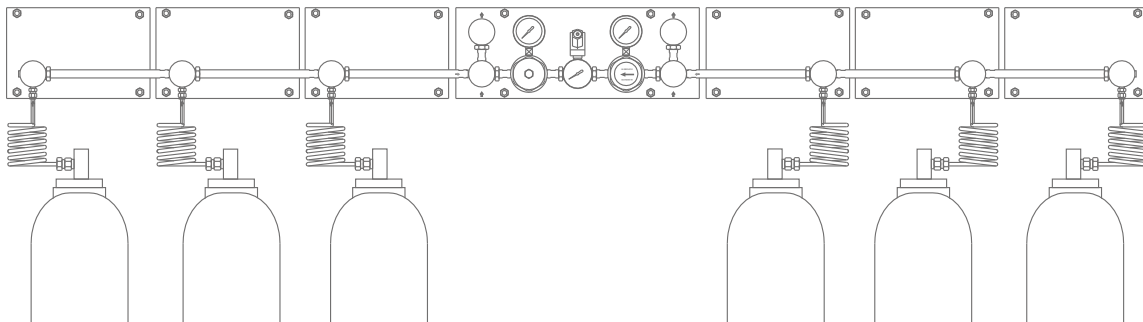
#### TECHNICAL DATA:

Purity	Up to 6.0
Inlet pressure	Max. 300 bar (4350 psig)
O-ring	Viton®* (FKM)
Oxygen use	Suitable



#### MATERIAL SPECIFICATIONS:

Shut-off valve seat	PCTFE
Diaphragm (valve)	Elgiloy®**
Inlet ports	1/4" NPT(F)
Weight	1,2 kg



#### ORDERING INFORMATION:

PART NO.	MATERIAL	EXTENSION SIDE	SHUT OFF VALVE VERSION
9013287	Chrome-plated brass	Right	No
9013288	Chrome-plated brass	Left	No
9013289	Stainless steel	Right	No
9013290	Stainless steel	Left	No
9013291	Chrome-plated brass	Right	Yes
9013292	Chrome-plated brass	Left	Yes
9013293	Stainless steel	Right	Yes
9013294	Stainless steel	Left	Yes

For example: 9013287

\* Viton® is a registered trademark of The Chemours Company  
 \*\* Elgiloy® a registered trademark of Elgiloy Specialty Metals

# Purge assemblies

## HPI PA

### High purity purge assemblies

#### FEATURES:

- Max. inlet pressure 300 bar
- Diaphragm shut-off valve
- Made of 316L stainless steel

#### APPLICATIONS:

- Purge assemblies

#### TECHNICAL DATA:

Purity	Up to 6.0
Inlet pressure	Max. 300 bar (4350 psig)
Oxygen use	Suitable

#### MATERIAL SPECIFICATIONS:

Diaphragm (valve)	Hastelloy®* C276
Ports	1/4" NPT(F)
Leak rate	1x10 <sup>-8</sup> mbar l/s He
Orifice	Ø 3,2 mm

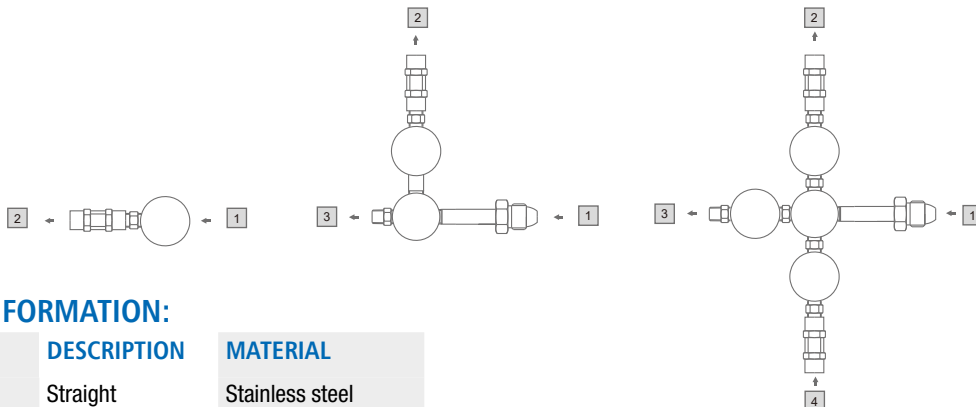
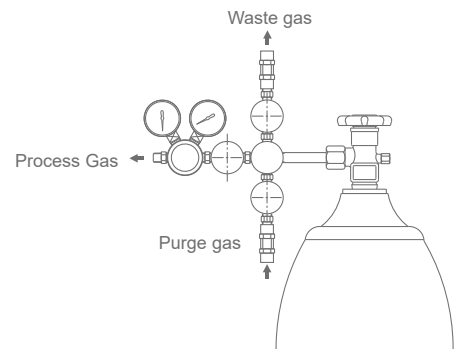
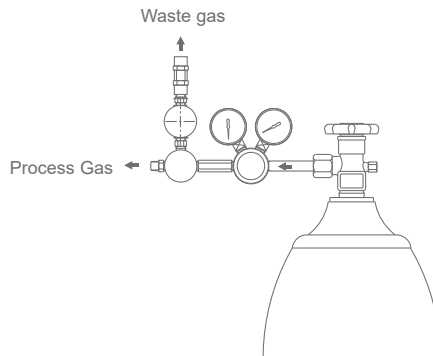


Straight purge assemblies

Tee purge assemblies



Cross purge assemblies



#### ORDERING INFORMATION:

PART NO.	DESCRIPTION	MATERIAL
9103277	Straight	Stainless steel
9103278	Tee	
9103279	Cross	

For example: 9013277

\* Hastelloy® is a registered trademark name of Haynes International, Inc



# Valves

## HPI DV300

### High purity, high pressure diaphragm valve

#### FEATURES:

- Regulators shutoff valves / instrument valves
- Max. inlet pressure 300 bar (4350 psig)
- Very high sealing capacity
- Metal to metal sealing to atmosphere
- Made of 316L stainless steel for corrosive gases
- Made of chrome-plated brass for non-corrosive gases and mixture up to 6.0
- DV300K (knob version) - 1/2 turn
- DV300L (lever version) - 1/4 turn

#### TECHNICAL DATA:

Purity	Up to 6.0
Inlet pressure	Max. 300 bar (4350 psig)
Inlet/outlet connection	1/4 FNPT x 1/4 FNPT and 1/4 MNPT x 1/4 FNPT
Oxygen use	Suitable

#### MATERIAL SPECIFICATIONS:

Seal	Kel-F (CTFE)
Seal	Metal to metal SS 316L Stainless Steel
Leak rate	2,0 x 10 <sup>-8</sup> mbar l/s He
Flow capacity	Cv = 0,13



**Type A**  
1/2 Turn Instrument Valve  
P/N: 9105190



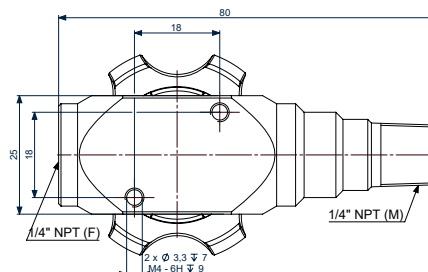
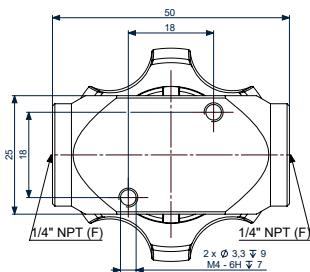
**Type B**  
1/4 Turn Instrument Valve  
P/N: 9101389



**Type C**  
Regulator Valve  
P/N: 9101383



**Type D**  
1/4 Turn Regulator Valve  
P/N: 9101386



#### RELATED OPTION:

Nipple connector 1/4" NPT

9574RM	1/4" NPT male	1/4" NPT male	Chrome-plated brass
957X4R	1/4" NPT male	1/4" NPT male	Stainless steel 316L

#### ORDERING INFORMATION:

TYPE	PART NO.	DESCRIPTION	INLET CONNECTION	OUTLET CONNECTION	BODY MATERIAL
A	9105190	DV300KC-1/2 turn	1/4" FNPT	1/4" FNPT	Nickel-plated brass
	9105191	DV300KS-1/2 turn	1/4" FNPT	1/4" FNPT	Stainless steel 316L
B	9101389	DV300LC-1/4 turn	1/4" FNPT	1/4" FNPT	Nickel-plated brass
	9101390	DV300LS-1/4 turn	1/4" FNPT	1/4" FNPT	Stainless steel 316L
C	9101383	DV300KC-MNPT-1/2 turn	1/4" MNPT	1/4" FNPT	Nickel-plated brass
	9101384	DV300KS-MNPT-1/2 turn	1/4" MNPT	1/4" FNPT	Stainless steel 316L
D	9101386	DV300LC-MNPT-1/4 turn	1/4" MNPT	1/4" FNPT	Nickel-plated brass
	9101387	DV300LS-MNPT-1/4 turn	1/4" MNPT	1/4" FNPT	Stainless steel 316L

\* Viton® is a registered trademark of The Chemours Company

# Valves

## HPI DS300

### High purity, high pressure diaphragm valve

#### FEATURES:

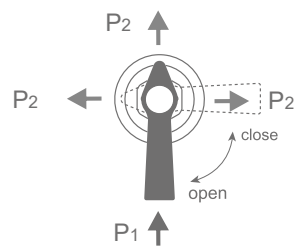
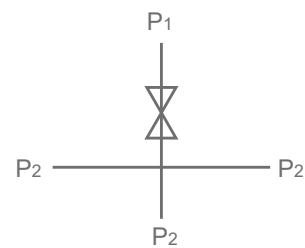
- Max. inlet pressure 300 bar
- Very high leak tightness
- Metal to metal sealing to atmosphere
- Made of 316L stainless steel for corrosive gases
- Made of chrome-plated brass for non-corrosive gases and mixture up to 6.0

#### TECHNICAL DATA:

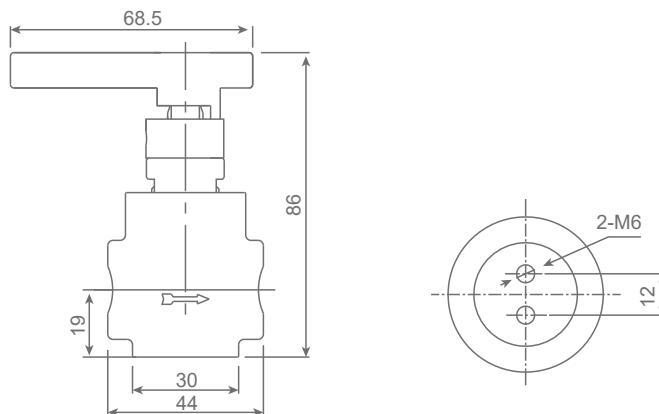
Purity	Up to 6.0
Inlet pressure	Max. 300 bar (4350 psig)
Oxygen use	Suitable

#### MATERIAL SPECIFICATIONS:

Seat	PCTFE
Diaphragm	Elgiloy®*
Filter	SS316
Leak rate	1x10 <sup>-8</sup> mbar l/s He
Orifice	Ø 2,7 mm



Left lever for shutoff



#### ORDERING INFORMATION:

PART NO.	DESCRIPTION	INLET CONFIGURATION	OUTLET CONFIGURATION	BODY MATERIAL	DIAPHRAGM MATERIAL	SEAT MATERIAL
9103265	1/4 turn instrument valve	1/4" NPT female	1/4" NPT female	Chrome-plated brass	Elgiloy® (R)	PCTFE
9103266	1/4 turn instrument valve	1/4" NPT female	1/4" NPT female	Stainless steel	Elgiloy® (R)	PCTFE

\* Elgiloy® a registered trademark of Elgiloy Specialty Metals

## HPI NR300

### High purity, high pressure needle valve

#### FEATURES:

- Max. inlet pressure 206 bar (2987 psig)
- Durable
- Flow regulating
- Metal to metal sealing to atmosphere
- Made of 316L stainless steel

#### TECHNICAL DATA:

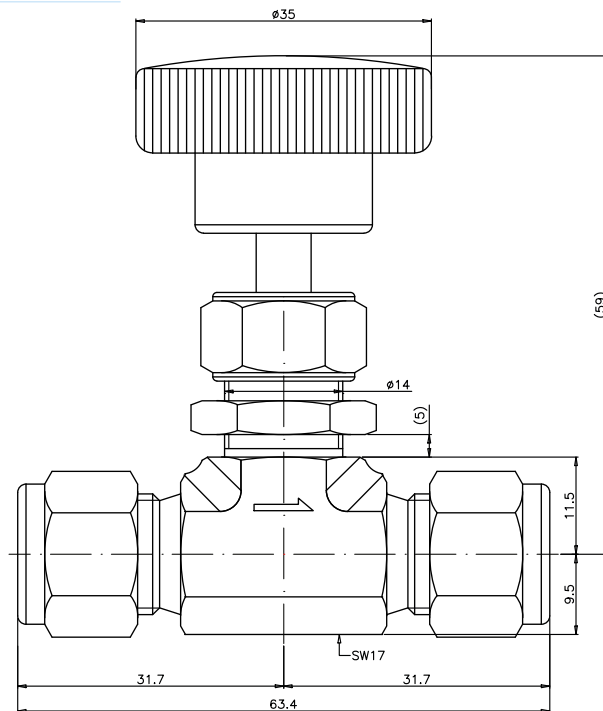
Purity	Up to 6.0
Inlet pressure	Max. 206 bar (2987 psig)
Oxygen use	Suitable

#### MATERIAL SPECIFICATIONS:

Seals	Metal to metal
Leak rate	$1 \times 10^{-8}$ mbar l/s He
Flow capacity	$C_v = 0,17$



Model shown with additional accessories to be ordered separately



#### ORDERING INFORMATION:

PART NO.	CONNECTION INLET	CONNECTION OUTLET	BODY MATERIAL
9103270	1/4" NPT male	1/4" NPT female	Stainless steel 316L
9103271	1/4" NPT female	1/4" NPT female	
9103272	1/4" NPT male	1/8" tube fitting	
9103273	1/4" NPT male	6 mm tube fitting	
9103274	1/4" NPT male	1/4" tube fitting	
9103275	6 mm tube fitting	6 mm tube fitting	
9103276	1/4" tube fitting	1/4" tube fitting	



## Flexible hoses

### HPI FH

#### Flexible hoses for connecting gas supply panels and gas cylinder

##### FEATURES:

- HPI FH S hose made of stainless steel 316L / 304
- HPI FH T hose made of PTFE + stainless steel 304
- Special requirements on request
- The hose is made of stainless steel 316L or PTFE inside, a stainless steel 304 double braid and end needed connections
- All hoses are equipped with stainless steel safety cable
- Inner diameter 6 mm
- Elbow connection on cylinder side



Model shown with additional accessories to be ordered separately

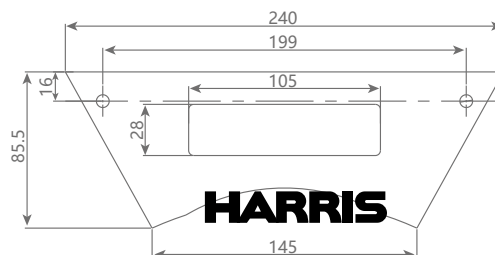
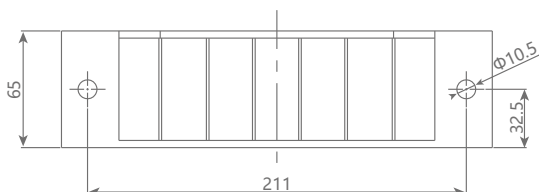
##### ORDERING INFORMATION:

MODEL	LENGTH	OUTLET CONNECTION	INLET CONNECTION	OPTION
HPI FH T PTFE/stainless steel 304	1000 mm    1000	1/4" NPT (Male) Panel connection	001	Cylinder connection    Please specify
HPI FH S 316L/304 stainless steel	2000 mm    2000 3000 mm    3000	1/4" NPT (Female)	002	Elbow connection on cylinder connection side    000 Elbow connection on both sides    EE Straight cylinder connection    SC
For example: HPI FH T	1000		001	DIN 477.6    000

## Cylinder Wall Bracket

##### DESCRIPTION:

- Special design for one cilinder
- Easy installation to a wall or construction
- Delivered with safety belt
- ABS material



##### ORDERING INFORMATION:

PART NO.  
9009506

## Check valves

### HPI CV L Check valve

#### FEATURES:

- The HPI CV L is a compact design for laboratory pipeline system
- Valve is closed
- When differential pressure between inlet and outlet is higher than the set pressure of the spring, the loaded poppet will move backwards and will enable a free passage of flow through the valve
- Inlet and outlet connection is 1/4" tube fitting

#### MATERIAL SPECIFICATIONS:

O-ring	Viton®* (FKM)
Materials body	SS 316L
Pressure rating	200 bar
Cracking pressure	0,02 bar



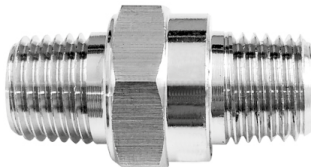
#### ORDERING INFORMATION:

PART NO.	DESCRIPTION	CONNECTION INLET	CONNECTION OUTLET	BODY MATERIAL
9010209	Line check valve	1/4" tube fitting	1/4" tube fitting	Stainless steel 316L

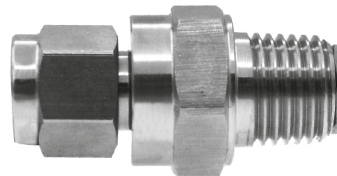
## HPI CVP Check valve

### FEATURES:

- The HPI CVP is a compact design for connecting gas supply panel and hose or pigtail
- Valve is normally closed
- When differential pressure between inlet and outlet is higher than the set pressure of the spring, the loaded poppet will move backwards and will enable a free passage of flow through the valve



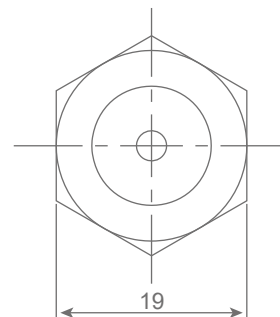
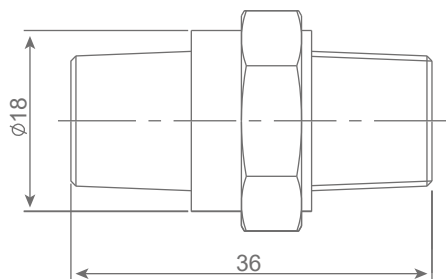
9010210



9010211

### MATERIAL SPECIFICATIONS:

O-ring	Viton®* (FKM)
Materials body	SS 316L
Pressure rating	300 bar
Cracking pressure	0,02 bar



### ORDERING INFORMATION:

PART NO.	DESCRIPTION	CONNECTION INLET	CONNECTION OUTLET	BODY MATERIAL
9010210	Panel check valve	1/4" NPT male	1/4" NPT male	Stainless steel 316L
9010211	Pigtail check valve	1/4" tube fitting	1/4" NPT male	Stainless steel 316L
9010275	Pigtail check valve	1/4" NPT female	1/4" NPT male	Stainless steel 316L

\*Viton® is a registered trademark of The Chemours Company

# Relief valves

## HPI SRV Relief valves



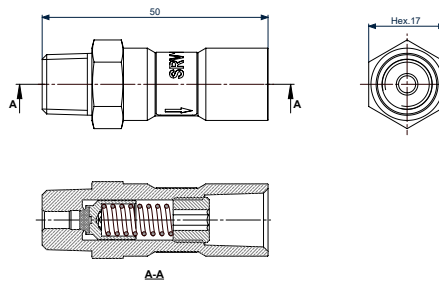
These relief valves may be used as an integral part of a pressure regulator or panel. The relief valves have a 1/4" NPT inlet and outlet thread to vent gases either externally or remotely.

### FEATURES:

- The HPI RVP is a relief valve for low working pressure.
- The valve is normally closed.
- Every RVP Relief Valve is factory tested for proper set and resealing performance.

### MATERIAL SPECIFICATIONS:

O-ring	Viton®* (FKM)
Materials body	SS 316L or nickel-plated brass
Inlet connection	1/4" NPT (M)
Outlet connection	1/4" NPT (F)
Open pressure	Up to 50 bar <sup>1</sup>



### ORDERING INFORMATION:

#### MATERIAL: NICKEL PLATED BRASS

PART NO.	DESCRIPTION	SET PRESSURE (BAR)
9017248	HPI SRVC-4	4
9017249	HPI SRVC-6	6
9017250	HPI SRVC-16	16
9103285	HPI SRVC-26	26
9017251	HPI SRVC-35	35
9017252	HPI SRVC-55	55

#### MATERIAL: STAINLESS STEEL

PART NO.	DESCRIPTION	SET PRESSURE (BAR)
9017243	HPI SRVS-4	4
9017244	HPI SRVS-6	6
9017245	HPI SRVS-16	16
9017246	HPI SRVS-26	26
9103286	HPI SRVS-35	35
9017247	HPI SRVS-55	55

## Stainless Steel Tube Fitting

### Male Connector

**PART NO.**

9007848	6 mm OD x 1/4 in. male NPT
9007849	8 mm OD x 1/4 in. male NPT
9007850	10 mm OD x 1/4 in. male NPT
9007857	1/8 in. tube OD x 1/4 in. male NPT
9007858	1/4 in. tube OD x 1/4 in. male NPT
9007861	1/2 in. tube OD x 1/4 in. male NPT

**BODY MATERIAL**

316 stainless steel
316 stainless steel
316 stainless steel
316 stainless steel
316 stainless steel
316 stainless steel



### Union

**PART NO.**

9007897	6 mm tube OD
9007898	8 mm tube OD
9007900	1/4 in. tube OD

**BODY MATERIAL**

316 stainless steel
316 stainless steel
316 stainless steel



### Union Elbow

**PART NO.**

9007908	6 mm tube OD
9007909	8 mm tube OD
9007911	1/4 in. tube OD

**BODY MATERIAL**

316 stainless steel
316 stainless steel
316 stainless steel



### Union Tee

**PART NO.**

9007913	6 mm tube OD
9007914	8 mm tube OD
9007915	1/4 in. tube OD

**BODY MATERIAL**

316 stainless steel
316 stainless steel
316 stainless steel



### Plug

**PART NO.**

9007935	6 mm tube OD
9007936	8 mm tube OD
9007950	1/4 in. tube OD

**BODY MATERIAL**

316 stainless steel
316 stainless steel
316 stainless steel



Models shown with additional accessories to be ordered separately

# Pressure Gauges

## PG

### DESCRIPTION:

- Pressure gauges are designed for general and laboratory applications involving the measurement of compressed gases compatible with the materials of construction.
- Gauges are used to monitor pressure of regulators, points of use, supply boards.
- Radial (6 o'clock) mount PG R
- Centre back mount PG B

### MATERIAL SPECIFICATIONS:

Type	Bourdon tube pressure gauge
Diameter	49 mm
Pressure	Many pressure ranges available From 2 bar up to 400 bar
Mounting connections	Radial mount Centre back mount
Connection	¼" NPT male
Corpus material	Chrome-plated brass or stainless steel
Accuracy	Class 2,5

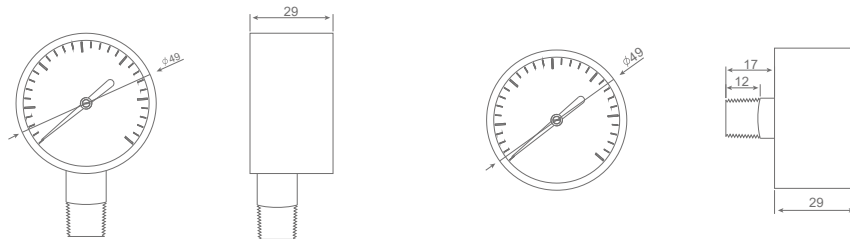


PG R



PG B

Models shown with additional accessories to be ordered separately



### ORDERING INFORMATION:

PART NUMBER	DESCRIPTION	SCALE (bar)	SCALE (psig)	MATERIAL	CONNECTION	INDUCTIVE
9007664	PG RC-2,5B	0-2,5 bar	0-35 psig	BC	Radial	No
9017582	PG RC-4B	0-4 bar	0-58 psig	BC	Radial	No
9007665	PG RC-6B	0-6 bar	0-86 psig	BC	Radial	No
9007666	PG RC-10B	0-10 bar	0-145 psig	BC	Radial	No
9007667	PG RC-16B	0-16 bar	0-230 psig	BC	Radial	No
9007668	PG RC-25B	0-25 bar	0-350 psig	BC	Radial	No
9007669	PG RC-60B	0-60 bar	0-860 psig	BC	Radial	No
9007676	PG RC-250B	0-250 bar	0-3500 psig	BC	Radial	No
9007677	PG RC-400B	0-400 bar	0-5800 psig	BC	Radial	No
9007678	PG BC-6B	0-6 bar	0-86 psig	BC	Back	No
9007679	PG BC-16B	0-16 bar	0-230 psig	BC	Back	No
9007680	PG BC-25B	0-25 bar	0-350 psig	BC	Back	No
9007681	PG BC-60B	0-60 bar	0-860 psig	BC	Back	No
9017710	PG BC-400B	0 - 400 bar	0 - 5800 psig	BC	Back	No
9007682	PG RS-2,5B	0-2,5 bar	0-35 psig	SS	Radial	No
9017583	PG RS-4B	0-4 bar	0-58 psig	SS	Radial	No
9007683	PG RS-6B	0-6 bar	0-86 psig	SS	Radial	No
9007684	PG RS-10B	0-10bar	0-145psig	SS	Radial	No
9007685	PG RS-16B	0-16 bar	0-230 psig	SS	Radial	No
9007686	PG RS-25B	0-25 bar	0-350 psig	SS	Radial	No
9007687	PG RS-60B	0-60 bar	0-860 psig	SS	Radial	No
9007688	PG RS-250B	0-250 bar	0-3500 psig	SS	Radial	No
9007689	PG RS-400B	0-400 bar	0-5800 psig	SS	Radial	No
9007690	PG BS-6B	0-6 bar	0-86 psig	SS	Back	No
9007691	PG BS-16B	0-16 bar	0-230 psig	SS	Back	No
9007692	PG BS-25B	0-25 bar	0-350 psig	SS	Back	No
9007693	PG BS-60B	0-60 bar	0-860 psig	SS	Back	No

Inductive contact version on request.

## Alarm system

### HAS

#### DESCRIPTION:

- Alarm box is used for monitoring low supply pressure gas source and inform user visually by LED light and acoustically by loud buzzer.
- Temporarily silent snoozer for the buzzer
- Extra connection for external alarm
- Activated by external contact gauges
- Three version available 2, 6, 10 possible contact connection
- Readable LED light display
- 230V AC, 50 Hz; 110V AC, 60 Hz power supply (on request)

#### ORDERING INFORMATION:

4302085	HAS1, 1 connection
4302086	HAS2, 2 connections
4302087	HAS4 4 connections
4302088	HAS6, 6 connections
4302089	HAS10, 10 connections



## Contact gauges

#### PRODUCT FEATURES:

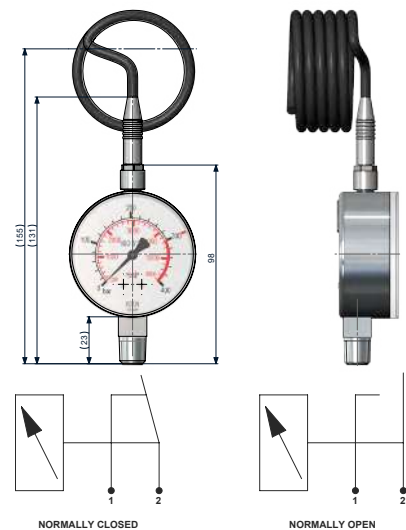
- Contact pressure gauges with digital signal
- Set point adjustable over 10-90% of scale
- Double scale bar / psig
- c/w 2 meters of cable

#### TECHNICAL FEATURES:

Body material	316L
Workin Voltage	180/VDC/130/VDC
Max. Voltage	200VDC
Max ON/OFF amperage	0.5A
Contact Power	10 Watt
Contact Current (initial)	150 mΩ
Contact Capacitance	0.2pF
Insulation Resistance	10 <sup>12</sup> Ω
Active Time	0.6msec (Max)
Release Time	0.2 msec (Max)
Frequency	5.2kHz
Working Temperature	-40°C ~ 125°C
Nominal Diameter	63 mm
Connection	¼" NPT (M)(bottom)
Lenght of cable	2 meters
Scale	bar/psig
Window	Laminated safety glass
Switching Accuracy	+/- 2.5% full scale
Weight	



#### DIMENSIONS:



#### ORDERING INFORMATION:

9017491	Contact Gauge LP-NO-025 (0-25 bar, 0-362 psig)
9017639	Contact Gauge LP-NO-060 (0-60 bar, 0-870 psig)
9017640	Contact Gauge HP-NO-250 (0-250 bar, 0-3625 psi)
9017492	Contact Gauge HP-NO-400 (0-400 bar, 0-5800 psi)

## INLET CONNECTION STANDARDS

### DIN 477 (German Institute for Standardisation - Deutsches Institut für Normung)

#### DIN 477 PART 1 1990

INLET CONNECTION	CONNECTOR TYPE	CONNECTOR DESCRIPTION	GAS PROPERTIES	EXAMPLES OF GASES OR GAS MIXTURES
D1	DIN 477-1 No. 1	W 21.8 x 1/14" LH	Flammable	Hydrogen, propane
D2	DIN 477-1 No. 2	W 21.8" x 1/14" LH	Flammable	Propane
D3	DIN 477-1 No. 3	Yoke	Flammable	Acetylene
D3.1	DIN 477-1 No. 3.1	M 24 x 2" LH	Flammable	Acetylene
D5	DIN 477-1 No. 5	W 1" x 1/8" LH	Toxic	Carbon monoxide
D6	DIN 477-1 No. 6	W 21.8 x 1/14"	Various	Ammonia, argon, helium, carbon dioxide, krypton, neon, sulphur hexafluoride, xenon
D7	DIN 477-1 No. 7	G 5/8"	Toxic	Sulphur dioxide
D8	DIN 477-1 No. 8	W 1" x 1/8"	Toxic	Boron trichloride
D9	DIN 477-1 No. 9	G 3/4"	Oxidizer	Oxygen
10	DIN 477-1 No. 10	W 24.32 x 1/14" RH	Inert	Nitrogen
D11	DIN 477-1 No. 11	G 3/8"	Oxidizer	Nitrous oxide (>3 l size)
D12	DIN 477-1 No. 12	G 3/4" INT	Oxidizer	Nitrous oxide (<3 l size)
D13	DIN 477-1 No. 13	G 5/8" INT	Non-flammable	Air
D14	DIN 477-1 No. 14	M 19 x 1.5 LH	Various	Mixtures

#### DIN 477 PART 5 2002

INLET CONNECTION	CONNECTOR TYPE	CONNECTOR DESCRIPTION	GAS PROPERTIES
D54	DIN 477-5 No. 54	W 30 x 2 (Ø15.9/20.1)	Non-flammable, non-toxic and non-oxidizing gases and gas mixtures
D55	DIN 477-5 No. 55	W 30 x 2 (Ø15.2/20.8)	Non-flammable, toxic and corrosive gases and gas mixtures
D56	DIN 477-5 No. 56	W 30 x 2 (Ø16.6/19.4)	Pressurized air
D57	DIN 477-5 No. 57	W 30 x 2LH (Ø15.2/20.8)	Flammable, non-toxic gases and gas mixtures
D58	DIN 477-5 No. 58	W 30 x 2LH (Ø15.9/20.1)	Flammable, toxic and corrosive or non-corrosive gases and gas mixtures
D59	DIN 477-5 No. 59	W 30 x 2 (Ø17.3/18.7)	Oxygen and oxidizing, non-toxic, non-corrosive gases and gas mixtures
D60	DIN 477-5 No. 60	W 30 x 2 (Ø18.0/18.0)	Oxidizing, toxic and / or corrosive gases and gas mixtures



## INLET CONNECTION STANDARDS

### CGA (Compressed Gas Association, USA)

INLET CONNECTION	CONNECTOR TYPE	CONNECTOR DESCRIPTION	GAS PROPERTIES	EXAMPLES OF GASES OR GAS MIXTURES
C 110	CGA 110	0.3125 - 32 UNEF INT	Small cylinders	All Gases
C 170	CGA 170	9/16" - 18 UNF INT	Non-corrosive,	Propane
small cylinders	Argon, helium	Yoke	Flammable	Acetylene
C 180	CGA 180	5/8" - 18 UNF INT	Small cylinders	All Gases
C 240	CGA 240	3/8" - 18 NPT	Toxic	Ammonia
C 296	CGA 296	0.803" - 14 UNS INT	Oxidising mixtures	Oxygen Mix > 23%
C 300	CGA 300	0.825" - 14 NGO	Refrigerant	Ethyl chloride
C 320	CGA 320	0.825" - 14 NGO	Non-flammable	Carbon dioxide
C 326	CGA 326	0.825" - 14 NGO	Oxidiser	Air
C 330	CGA 330	0.825" - 14 NGO LH	Toxic	Hydrogen chloride
C 346	CGA 346	0.825" - 14 NGO	Oxidiser	Air
C 350	CGA 350	0.825" - 14 NGO LH	Flammable	Hydrogen, methane
C 510	CGA 510	0.825" - 14 NGO LH INT	Flammable	Propane
C 540	CGA 540	0.903" - 14 NGO	Oxidiser	Oxygen
C 580	CGA 580	0.965" - 14 NGO INT	Inert	Argon, nitrogen
C 590	CGA 590	0.965" - 14 NGO LM INT	Oxidiser	Air
C 330	CGA 330	1.030" - 14 NGO	Toxic	Hydrogen sulphide
C 679	CGA 679	1.030" - 14 NGO LH	High pressure	Nitrogen
C 705	CGA 705	1.125" - 14 UNS LH	Toxic	Ammonia

### AFNOR (French Standardisation Association - Association Française de Normalisation)

INLET CONNECTION	CONNECTOR TYPE	CONNECTOR DESCRIPTION	GAS PROPERTIES	EXAMPLES OF GASES OR GAS MIXTURES
NF B	NF B	W 30 x 1.75	Oxidiser	Industrial air
NF C	NF C	SI 21.7 x 1.814	Inert gases	Argon, helium, nitrogen
NF E	NF E	SI 21.7 x 1.814 LH	Flammable	Hydrogen, hydrogen mix >4%
NF F	NF F	SI 22.94 x 1.814 INT	Oxidiser	Oxygen
NF G	NF G	SI 26 x 1.5 INT	Oxidiser	Nitrous oxide
NF H	NF H	W 22.91 x 1.814 LH INT	Flammable	Acetylene
NF J	NF J	W 25.4 x 3.175	Corrosive	Chlorine
NF K	NF K	W 27 x 2	Corrosive	Hydrogen chloride
NF L	NF L	W 27 x 2	Oxidiser	Inert gases + oxygen mix > 21%
NF M	NF M	W 30 x 2	Oxidiser	Inert gases + oxygen mix > 21% & CO <sub>2</sub> < 7%
NF P	NF P	W 27 x 2	Oxidiser or corrosive	Nitric oxide, nitrogen dioxide

### BS 341 (British Standard)

INLET CONNECTION	CONNECTOR TYPE	CONNECTOR DESCRIPTION	GAS PROPERTIES	EXAMPLES OF GASES OR GAS MIXTURES
BS 2	BS 341 No. 2	G 5/8" LH	Flammable	Acetylene
BS 3	BS 341 No. 3	G 5/8" INT	Inert	Air, argon, neon, nitrogen
BS 3	BS 341 No. 3	G 5/8" INT	Oxidiser	Oxygen
BS 4	BS 341 No. 4	G 5/8" LH INT	Flammable	Acetylene, hydrogen
BS 4	BS 341 No. 4	G 5/8" LH INT	Flammable	Carbon monoxide, methane, natural gas
BS 6	BS 341 No. 6	G 5/8"	Toxic	Chlorine, hydrogen chloride
BS 7	BS 341 No. 7	G 5/8" LH	Flammable refrigerants	Flammable refrigerants
BS 8	BS 341 No. 8	W 0.860" x 14 TPI	Non-flammable	Carbon dioxide
BS 10	BS 341 No. 10	G 1/2"	Toxic	Ammonia
BS 12	BS 341 No. 12	G 1/2"	Toxic	Sulphur dioxide
BS 13	BS 341 No. 13	W 11/16" - 20 TPI	Oxidiser	Nitrous oxide
BS 14	BS 341 No. 14	G 3/8"	Toxic	Hydrogen cyanide, nitric oxide
BS 15	BS 341 No. 15	G 3/8" LH	Toxic	Carbonyl sulphide, hydrogen sulphide

# INLET CONNECTION STANDARDS

## UNI (Italian National Unification - Ente Nazionale Italiano di Unificazione)

INLET CONNECTION	CONNECTOR TYPE	CONNECTOR DESCRIPTION	GAS PROPERTIES	EXAMPLES OF GASES OR GAS MIXTURES
U 4405	UNI 4405	W 20 x 1/14" LH	Flammable	Hydrogen
U 4406	UNI 4406	W 21.7 x 1/14"	Non-flammable, Oxidiser	Carbon dioxide, oxygen
U 4407	UNI 4407	W 30 x 1/14"	Toxic	Ammonia
U 4408	UNI 4408	W 1" x 1/8"	Toxic	Chlorine
U 4409	UNI 4409	W 21.7 x 1/14"	Inert	Nitrogen
U 4410	UNI 4410	W 30 x 1/14"	Non-flammable	Air
U 4411	UNI 4411	W 22.9 x 1/14"	Flammable	Acetylene
U 4412	UNI 4412	W 24.5 x 1/14"	Inert	Argon, helium
U 9097	UNI 9097	G 3/8" EXT	Oxidiser	Nitrous oxide

## NEN 3268 (Dutch Standards - Nederlandse Norm)

INLET CONNECTION	CONNECTOR TYPE	CONNECTOR DESCRIPTION	GAS PROPERTIES	EXAMPLES OF GASES OR GAS MIXTURES
N LU 0	LU 0	M 19 x 1.5 LH	Flammable Mixtures	Flammable mixtures
N LU 1	LU 1	W 21.8 - 1/14" LH	Flammable	Hydrogen, methane
N LU 4	LU 4	W 25.4 x 3.175" LH	Toxic	Hydrogen cyanide
RI 2	RI 2	G 22.91 x 1.814" RH	Oxidiser	Oxygen
N RU 1	RU 1	W 21.8 - 1/14"	Refrigerants	Ammonia, carbon dioxide
N RU 3	RU 3	W 24.32 - 1/14"	Inert	Argon, helium, nitrogen
N RU 4	RU 4	W 25.4 x 3.175" RH	Toxic	Chlorine, hydrogen chloride, sulphur dioxide
N RU 6	RU 6	W 28.81 x 1.814" RH	Oxidiser	Air

## ISO 5145 (International Organization for Standardization)

INLET CONNECTION	CONNECTOR TYPE	CONNECTOR DESCRIPTION	GAS PROPERTIES	EXAMPLES OF GASES OR GAS MIXTURES
I 1	ISO 5145 No.1	W 24 x 2 11,2 - 16,8 RH	Inert	Medical helium & xenon
I 2	ISO 5145 No.2	W 24 x 2 11,9 - 16,1 RH	Oxidiser	Oxygen
I 4	ISO 5145 No.4	W 24 x 2 13,3 - 14,7 RH	Inert	Inert gases & mixes, except He & Xe
I 9	ISO 5145 No.9	W 24 x 2 13,3 - 14,7 LH	Flammable	Mixes with a flammable gas, except hydrogen
I 10	ISO 5145 No.10	W 24 x 2 14 - 14 LH	Flammable	Hydrogen
I 11	ISO 5145 No.11	W 27 x 2 11,8 - 20,2 RH	Inert	Nitrogen
I 17	ISO 5145 No.17	W 27 x 2 16 - 16 RH	Inert	Carbon dioxide
I 24	ISO 5145 No.24	W 27 x 2 16 - 16 LH	Flammable	LPG
I 30	ISO 5145 No.30	W 30 x 2 15,9 - 20,1 RH	Inert	Helium, argon, nitrogen, inert gas mixtures*
I 32	ISO 5145 No.32	W 30 x 2 17,3 - 18,7 RH	Oxidiser	Oxygen*
I 38	ISO 5145 No.38	W 30 x 2 15,2 - 20,8 LH	Flammable	Mixes with a flammable gas*
I 41	ISO 5145 No.41	W 30 x 2 17,3 - 18,7 LH	Refrigerants	Refrigerant gases**

\* Working pressure above 250 bar in Europe and 182 bar in the USA

\*\* Flammable according to ISO 5145, for inert No. 4 can be used when FTSC codes fit with the mixture

# MATERIALS COMPATIBILITY

The compatibility data shown on the following pages has been compiled to assist in evaluating the appropriate materials to use in handling various gases. Prepared for use with the dry (anhydrous) gases at normal operating temperature of 70° (21° C), information may vary if different operating conditions exist.

## DIRECTIONS:

Locate the gas you are using in the first column.

Compare the materials of construction for the equipment you intend to use with the materials of construction shown in the Compatibility Chart. Then use the Key to Materials Compatibility to determine the compatibility.

- Satisfactory for use with the intended gas
- U Unsatisfactory for use with the intended gas
- I Insufficient data available to determine compatibility with the intended gas
- R1 Satisfactory with brass having a low copper content
- R2 Satisfactory with acetylene, however, cylinder gas is dissolved in a solvent (generally acetone) which may be incompatible with these elastomers

- R3 Satisfactory with brass, except where acetylene or acetylides are present
- R4 Generally unsatisfactory, except where specific use conditions have proven acceptable
- R5 Satisfactory below 3000 PSIG (206.9 bar) where gas velocities do not exceed 30 ft./sec (9,14 m/s).
- R6 Compatibility depends on condition of use

## COMPATIBILITY GUIDE

### COMMON

### CHEMICAL FORMULA

		MATERIALS OF CONSTRUCTION										
		METALS					PLASTICS		ELASTOMERS			
		Brass	Stainless Steel	Aluminum	Zinc	Copper	PCTFE	Teon®	Viton®	Buna-N	Neoprene	Polyurethane
Acetylene	C <sub>2</sub> H <sub>2</sub>	R1	•	•	U	U	•	•	R2	R2	R2	R2
Air	-	•	•	•	•	•	•	•	•	•	•	•
Allene	C <sub>3</sub> H <sub>4</sub>	•	•	•	I	U	•	•	•	•	•	I
Ammonia	NH <sub>3</sub>	U	•	•	U	U	•	•	U	•	•	
Argon	Ar	•	•	•	•	•	•	•	•	•	•	•
Arsine	AsH <sub>3</sub>	•	•	R4	I	•	•	•	•	•	•	U
Boron Trichloride	BCl <sub>3</sub>	U	•	U	I	•	•	I	I	I	I	I
Boron Trioxide	BF <sub>3</sub>	•	•	•	I	•	•	I	I	I	I	I
1,3-Butadiene	C <sub>4</sub> H <sub>6</sub>	•	•	•	•	•	•	•	U	•	•	U
Butane	C <sub>4</sub> H <sub>10</sub>	•	•	•	•	•	•	•	•	•	•	•
1-Butene	C <sub>4</sub> H <sub>8</sub>	•	•	•	•	•	•	•	•	•	•	•
cis-2-Butene	C <sub>4</sub> H <sub>8</sub>	•	•	•	•	•	•	•	•	•	•	•
trans-2-Butene	C <sub>4</sub> H <sub>8</sub>	•	•	•	•	•	•	•	•	•	•	•
Carbon Dioxide	CO <sub>2</sub>	•	•	•	•	•	•	•	•	•	•	U
Carbon Monoxide	CO	•	•	•	•	•	•	•	•	•	•	•
Carbonyl Sulde	COS	•	•	•	I	•	•	•	I	I	I	I
Chlorine	Cl <sub>2</sub>	U	•	U	U	U	•	•	U	U	U	U
Deuterium	D <sub>2</sub>	•	•	•	•	•	•	•	•	•	•	•
Diborane	B <sub>2</sub> H <sub>6</sub>	•	•	U	I	•	•	I	I	I	I	I
Dichlorosilane	H <sub>2</sub> SiCl <sub>2</sub>	I	•	I	I	I	•	I	I	I	I	I
Dimethyl Ether	C <sub>2</sub> H <sub>6</sub> O	•	•	•	•	•	•	•	•	•	•	I
Ethane	C <sub>2</sub> H <sub>6</sub>	•	•	•	•	•	•	•	•	•	•	•
Ethyl Acetylene	C <sub>4</sub> H <sub>6</sub>	I	•	•	I	U	•	•	I	•	I	I
Ethyl Chloride	C <sub>2</sub> H <sub>5</sub> Cl	•	•	U	I	•	•	•	•	•	•	U
Ethylene	C <sub>2</sub> H <sub>4</sub>	•	•	•	•	•	•	•	•	•	•	I
Ethylene Oxide	C <sub>2</sub> H <sub>4</sub> O	R3	•	R4	I	U	•	•	U	U	U	U
Ethylene Oxide/Carbon Dioxide Mixtures		R3	•	I	I	U	•	•	U	U	U	U
Ethylene Oxide/Halocarbon Mixtures		R3	•	I	I	U	•	•	U	U	U	U
Ethylene Oxide/HCF-124		R3	•	I	I	U	•	•	U	U	U	U
Halocarbon 11	CCl <sub>3</sub> F	•	•	R4	I	•	•	•	•	•	•	U
Halocarbon 12	CCl <sub>2</sub> F <sub>2</sub>	•	•	R4	I	•	•	•	•	•	•	•
Halocarbon 13	CClF <sub>3</sub>	•	•	R4	I	•	•	•	•	•	•	•
Halocarbon 13B1	CBF <sub>3</sub>	•	•	R4	I	•	•	•	•	•	•	•
Halocarbon 14	CF <sub>4</sub>	•	•	R4	I	•	•	•	•	•	•	•



# Certificate

Standard **ISO 9001:2015**

Certificate Registr. No. **01 100 1332014**

Certificate Holder: **Harris Calorific International  
Sp. z o.o.**  
ul. Strefowa 8  
58-200 Dzierżonów  
Poland

Scope: design and development, production, sale, marketing and service of pressure regulators and flowmeters of industrial gases as well as torches and accessories for gas cutting, welding, brazing and heating

Proof has been furnished by means of an audit that the requirements of ISO 9001:2015 are met.

Validity: The certificate is valid from 2021-12-22 until 2024-12-21.  
First certification 2012

2021-12-22

  
TÜV Rheinland Cert GmbH  
Am Grauen Stein · 51105 Köln

© TÜV, TÜEV and TUV are registered trademarks. Utilisation and application requires prior approval.

www.tuv.com



# Certificate

Standard **ISO 14001:2015**

Certificate Registr. No. **01 104 1541910**

Certificate Holder: **Harris Calorific International  
Sp. z o.o.**  
ul. Strefowa 8  
58-200 Dzierżonów  
Poland

Scope: design and development, production, sale, marketing and service of pressure regulators and flowmeters of industrial gases as well as torches and accessories for gas cutting, welding, brazing and heating

Proof has been furnished by means of an audit that the requirements of ISO 14001:2015 are met.

Validity: The certificate is valid from 2022-05-03 until 2025-05-02.  
First certification 2017

2021-12-22

  
TÜV Rheinland Cert GmbH  
Am Grauen Stein · 51105 Köln

www.tuv.com



## Warranty

This equipment is sold by The Harris Products Group under the warranties and policies set forth in the following paragraphs. The warranty is extended only with respect to the purchase of this equipment directly from The Harris Products Group or its authorized distributor network as new merchandise and is extended to the first buyer thereof other than for the purpose of resale.

Unless stated otherwise, the warranty period is three (3) years from the date of original delivery to the buyer with the following exception for equipment use in corrosive gas service. Equipment used in corrosive gas service will have a warranty of ninety (90) days from the date of original delivery. The equipment is warranted to be free from functional defects in materials and workmanship and to conform to the description of this equipment contained in the product manual and any associated labels, inserts or instructions provided that the equipment is properly operated under conditions of normal use and that recommended regular maintenance and service is performed in accordance with the instructions provided.

The warranty for such equipment shall not apply if the equipment has been altered by any third party. The Harris Products Group or its designated service facility shall only perform repairs to the equipment. If the equipment has been subject to abuse, misuse, negligence or accident the stated warranty will not apply.

The Harris Products Group sole obligation to the buyer and the buyer's sole remedy is limited to the repair or replacement of the equipment free of charge at The Harris Products Group's option. The authorized distributor from which it was purchased must report the request for return or repair to The Harris Products Group. The request must include the observed deficiency, the part number or assembly number, gas service used and the proof of purchase. The request for return or repair must occur no later than seven (7) days after the expiration of the warranty period (Three years and seven days for non-corrosive equipment and ninety seven (97) days for equipment in corrosive gas service). Transportation charges are to be prepaid for the return of the equipment and upon examination the equipment is found defective due to no fault of the buyer the equipment will be replaced or repaired and returned to the original buyer at no charge. If the product is found to be defective due to negligence of the buyer or his customer the product will be repaired or replaced and returned to the original buyer only after authorization has been received to pay for any such repairs and all transportation charges.

The Harris Products Group shall not be liable for any damages including but not limited to incidental damages, consequential damages or other damages which may occur due to negligence, breach of warranty or otherwise.

There are no express or implied warranties that extend beyond the warranties set forth by The Harris Products Group.



A LINCOLN ELECTRIC COMPANY

**Harris Calorific International Sp. z o.o.**

ul. Strefowa 8  
58-200 Dzierżonów, Poland  
+48 74 646 23 52(3)  
e-mail: [marketingharris@lincolnelectric.eu](mailto:marketingharris@lincolnelectric.eu)

**Harris Brastak**

Rua Rosa Kasinski  
525 - Capuava, Mauá - SP, 09371220, Brasil  
+551149938111  
e-mail: [vendas@harris-brastak.com.br](mailto:vendas@harris-brastak.com.br)

**Lincoln Electric Srl**

Via Ronco Maruni 34  
40068 San Lazzaro di Savena (BO), Italy  
+39(51)3766227  
e-mail: [venitalia@harriscal.it](mailto:venitalia@harriscal.it)

**Lincoln Electric Portugal, S.A.**

Arruamento A, Edifício Harris Products, Apartado 9  
3850-184 Albergaria-a-Velha  
+351 234 246 380  
e-mail: [harris\\_portugal@lincolnelectric.com](mailto:harris_portugal@lincolnelectric.com)

**Lincoln Electric GMBH**

Beethovenstrasse 9  
88450 Berkheim, Germany  
+49(0)8395912800  
e-mail: [info@harriscal.de](mailto:info@harriscal.de)



[www.harrisproductsgroup.eu](http://www.harrisproductsgroup.eu)



HPI 904\_0624\_EN